

STRONG

5 MP

DUAL-LIGHT IP CAMERA TURRET-45D-5MP-UK



Enhance your business security with our Dual-light IP Camera and its user-friendly app!

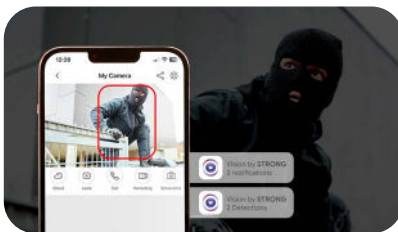
Introducing the TURRET Dual-light IP camera, the advanced surveillance solution designed specifically for **small offices**. With its comprehensive feature set, this advanced camera ensures unparalleled security and peace of mind for businesses in various settings, including boutiques, stores, offices, covered parking lots, garages, or any other businesses.

Enjoy seamless control with TURRET's intuitive app, monitoring your premises from anywhere. Benefit from efficient **H.265+ video compression**, ensuring crystal-clear footage without compromising storage. Utilize cloud recording for secure storage and easy access, or seamlessly integrate TURRET with your NVR system for reliable recording and playback.

Stay informed of human activity on your premises with precise **human detection** capabilities, minimizing false alarms and maximizing security effectiveness. Detect vehicle movements with precision, thanks to advanced **vehicle detection** technology, ideal for monitoring covered parking lots and garages.

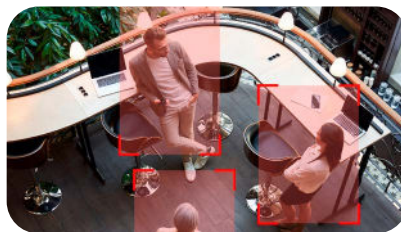
Enhance security with the **built-in MIC** feature for comprehensive surveillance audio. Capture detailed footage with stunning **5MP resolution**, ensuring high-definition quality. With **dual-light vision** technology, enjoy clear day and night visibility for round-the-clock security. Upgrade your security infrastructure today with the TURRET and gain peace of mind knowing your premises are protected.

Easy to use with the app



- Take control of your security system anywhere with **Vision by STRONG intuitive app**. Arm/disarm your camera, view live streams, and playback footage from the palm of your hand.
- **NVR recording**: The monitor will show the live view of the camera after the devices are correctly deployed.
- **Cloud recording**: Record and store videos in the cloud.

Intelligent & Efficient



- **Motion & Human Detection**: Stay informed of human activity on your premises, reducing false alarms and enhancing security.
- **Vehicle Detection**: Keep track of vehicle movements with precise detection capabilities, perfect for covered parking lots and garages.
- **Built-in MIC**: Enable audio recording for comprehensive surveillance coverage.

Clear Image



- **5MP Resolution**: Sharp visuals with remarkable 5MP resolution, capturing every detail with accuracy.
- **IR Night Vision**: Ensure clear visibility in both low-light and complete darkness conditions.
- **Dual-Light Vision**: Experience full-color video recording day and night with dual-light vision technology, guaranteeing vivid, color images even at night.

DUAL-LIGHT IP CAMERA TURRET-45D-5MP-UK

Package Content

1x IP camera
1x Positioning sticker
3x Installation screws
3x Dowels
1x Waterproof kit
1x Quick guide, warranty and safety instructions

Technical Specifications

Model :	TURRET-45D-5MP-UK
Resolution :	5MP
Aperture :	F1.6
Focal Length :	2.8mm / 4mm (optional)
Audio :	Built-in MIC
Night Vision :	Dual-light Vision
Certificate :	CE, RoHS, REACH
Material :	PC + Metal
Ethernet :	1*10/100Mbps (RJ45, POE)
Smart Alarm:	Human & Vehicle Detection / Motion Detection / Area Detection / Line Crossing

Others specifications

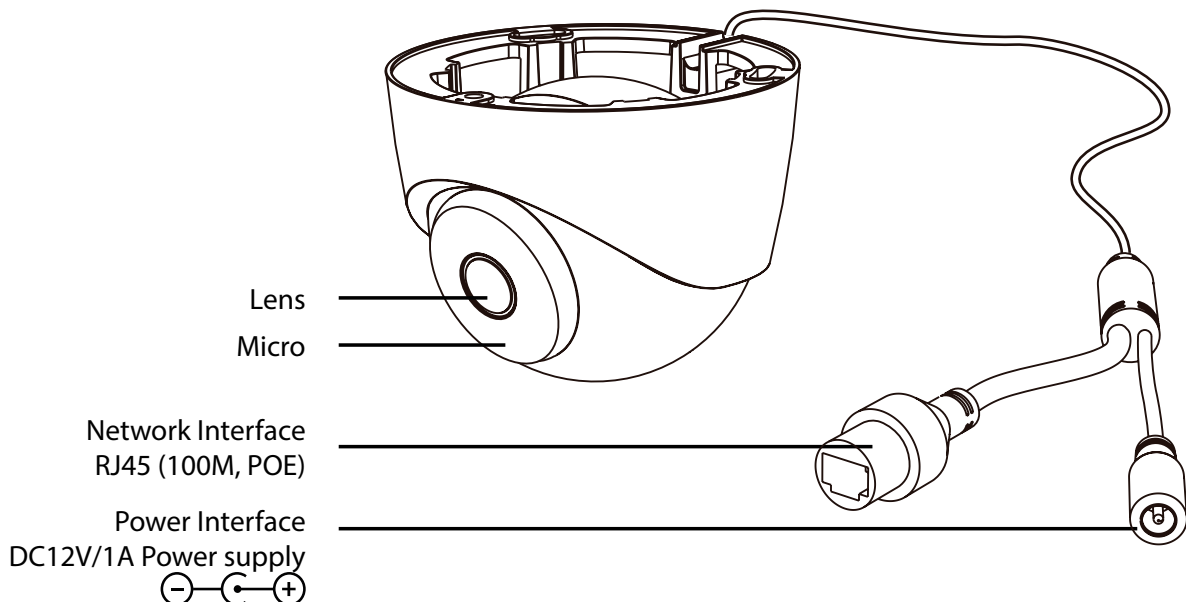
Language:	English
ONVIF:	Profile S
Protocol:	TCP / IP, DHCP, HTTP, HTTPS, NTP, DNS, RTP, RTSP, P2P
APP:	Vision by STRONG

General Specifications :

Power :	DC 12V \equiv 1A or POE 48V \equiv 0.35A
Power Consumption:	\leq 7W
Dimension:	95x \varnothing 111 mm
Net Weight:	274g / 0,60 lb
IP Grade:	Indoor
Installation:	Wall Mounting / Ceiling

Environment

Working Humidity:	<90%(Non condensing)
Working Temperature:	-30°C to 60°C



EAN: 9120072378102
PCB : 10 pcs