

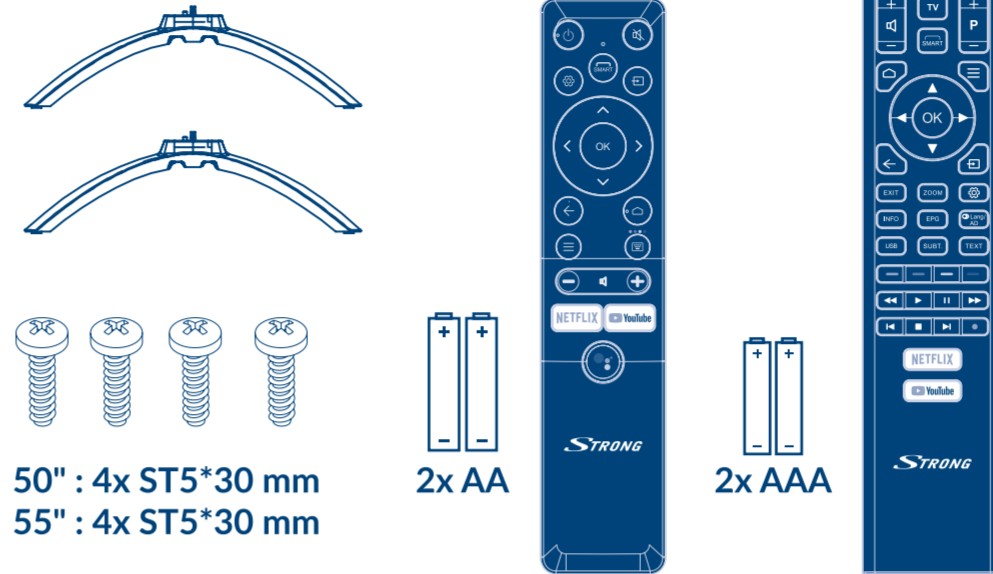
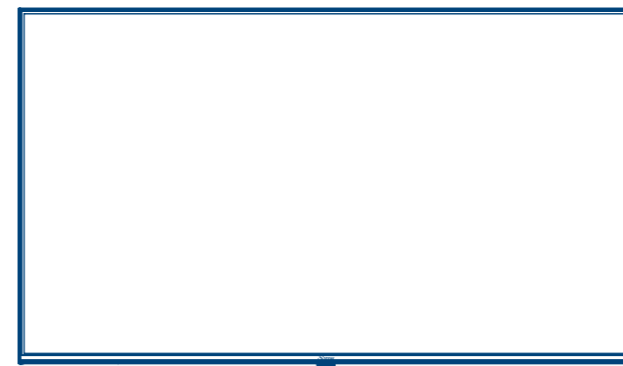


Installation Instructions  
Installationsanleitung  
Instructions d'installation  
Istruzioni per l'installazione  
Instrucciones de instalación  
Instrukcje instalacji  
Pokyny k instalaci  
Pokyny k inštalácii  
Instruções de Instalação  
Instruktioner til brug

Ръководство за бърз монтаж  
Οδηγίες Εγκατάστασης  
Telepítési Utasítás  
Upute za instalaciju  
Navodila za namestitve  
Navodila za namestitve  
Instruccioni de Instalare  
Инструкция по установке  
Упутства за употребу



Manual: [www.strong.tv](http://www.strong.tv)



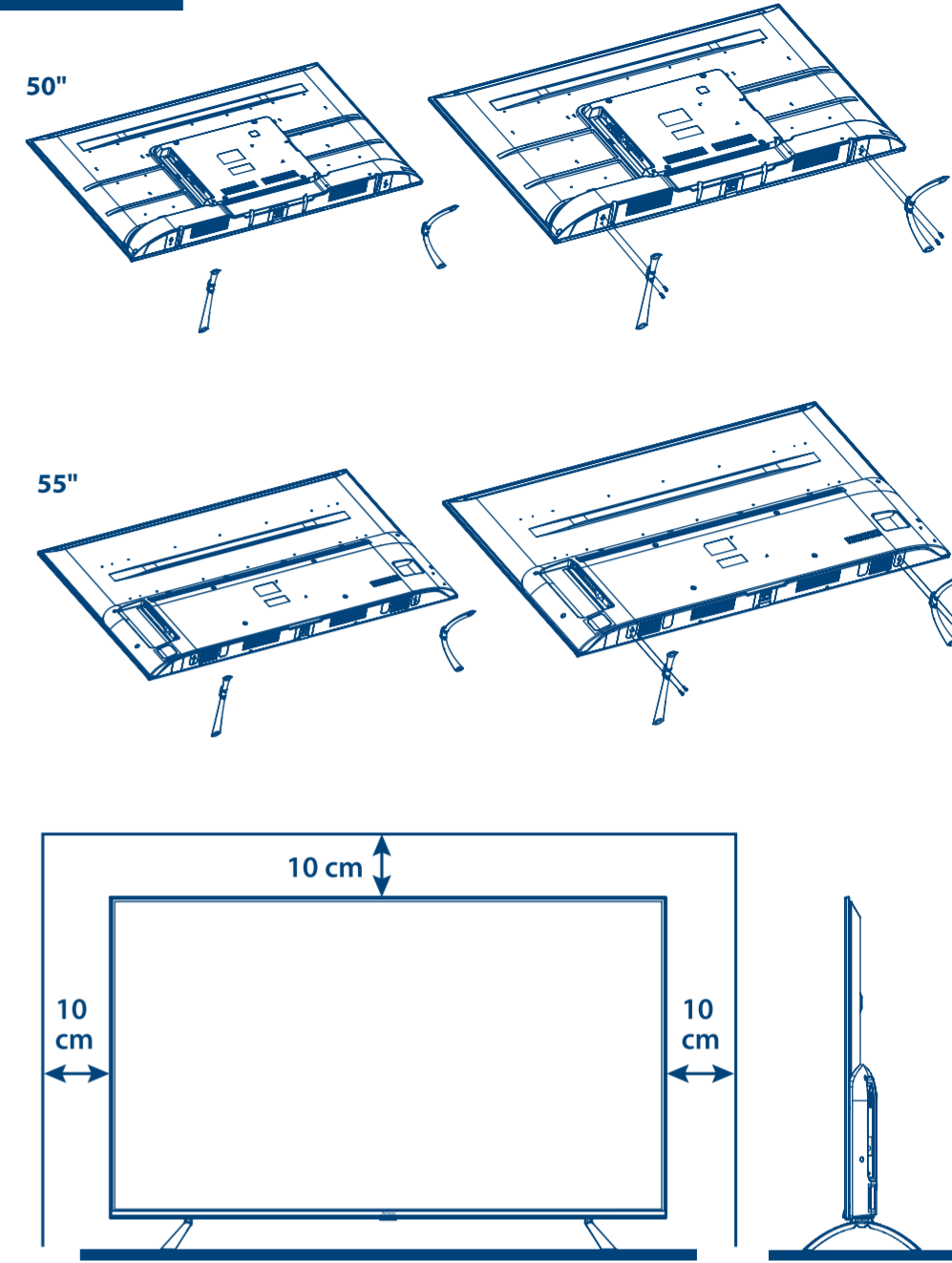
50" : 4x ST5\*30 mm  
55" : 4x ST5\*30 mm

2x AA

2x AAA



1.



| SERVICE CENTER |  |    |   |
|----------------|--|----|---|
| AT             | support_at@strong.tv<br>0820 400 150<br>(€ 0,12/Min. Österr. Festnetz)   | HU | support_hu@strong.tv<br>+36 1 445 26 10   |
| BG             | support_bg@strong.tv<br>+359 32 634451   | IT | support_it@strong.tv<br>199 404 032<br>Da rete fissa 24,8 cent. al min.<br>Da rete mobile max 49 cent. al min.<br>15,6 cent. scatto alla risposta |
| CZ             | support_cz@strong.tv<br>844 44 44 90   | NL | support_nl@strong.tv  |
| DE             | support_de@strong.tv<br>0180 501 49 91<br>(€ 0,14/Min. deutsches Festnetz)<br>(€ 0,42/Min. max. Mobilfunknetz) | PL | support_pl@strong.tv<br>801 702 017   |
| DK             | support_dk@strong.tv   | PT | support_pt@strong.tv<br>+351 2 100 06 125   |
| ES             | support_es@strong.tv<br>+34 91 119 61 76   | SK | support_sk@strong.tv<br>0850 15 05 50   |
| FR             | support_fr@strong.tv   | SL | +386 1 828 08 58  |
| HR             | +385 1 344 57 66   | UA | support_ua@strong.tv<br>+380 (44) 238 61 50   |



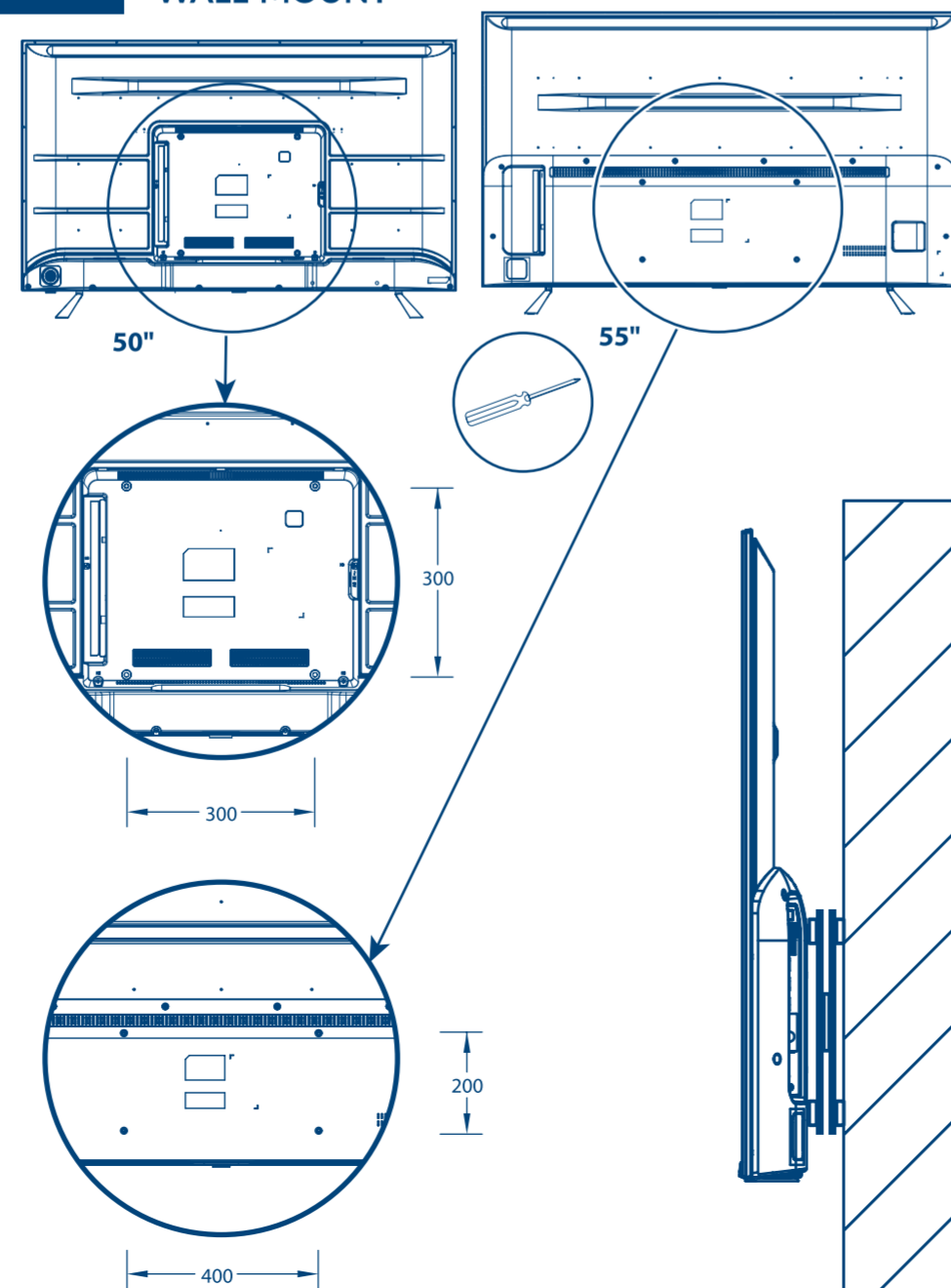
Supplied by STRONG AUSTRIA  
Represented by STRONG Ges.m.b.H  
Teinfaltstraße 8/4 Stock  
A-1010 Vienna, Austria  
email : support\_at@strong.tv

02 Dec 2020 16:26



1.

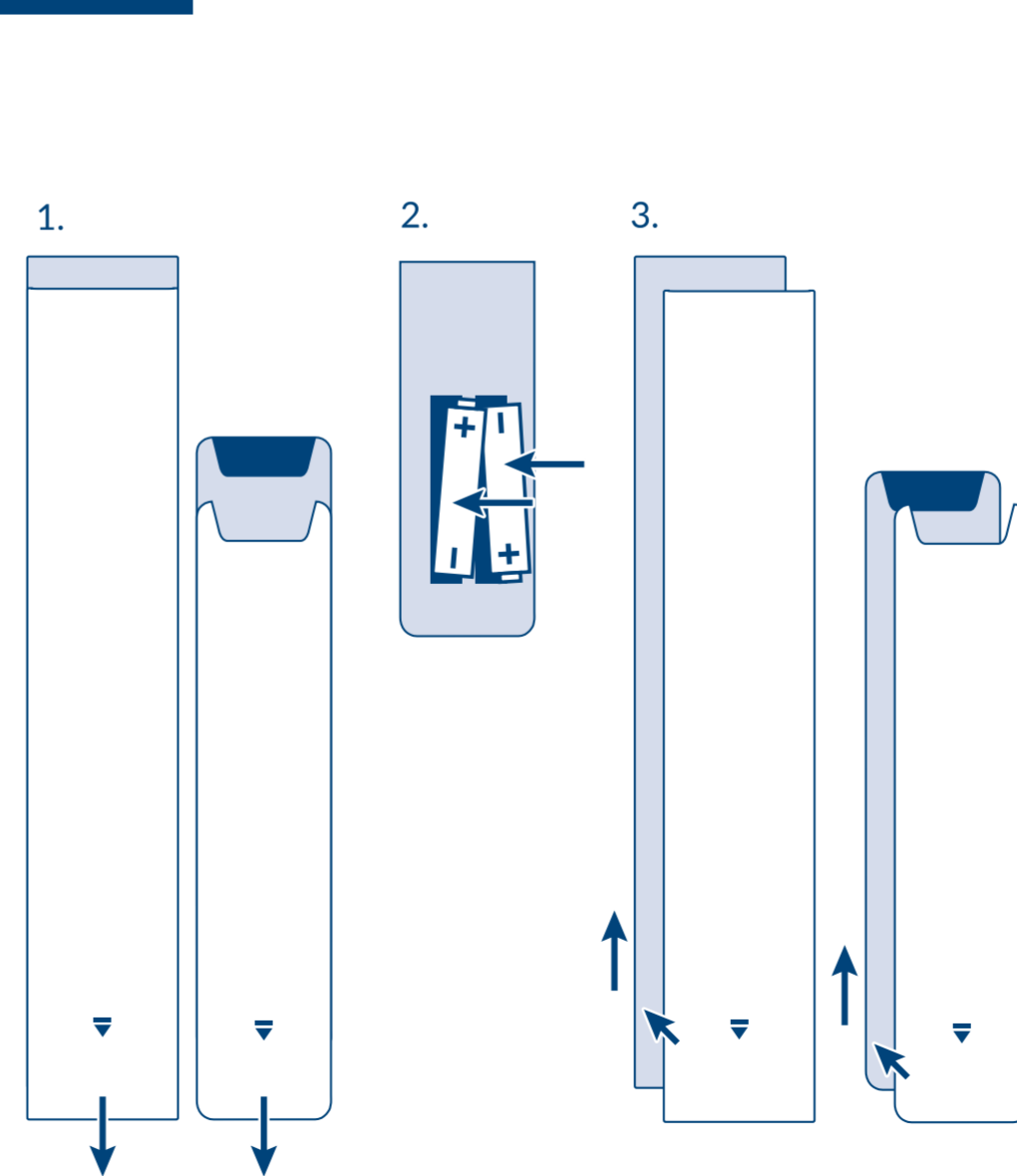
OPTIONAL:  
WALL-MOUNT



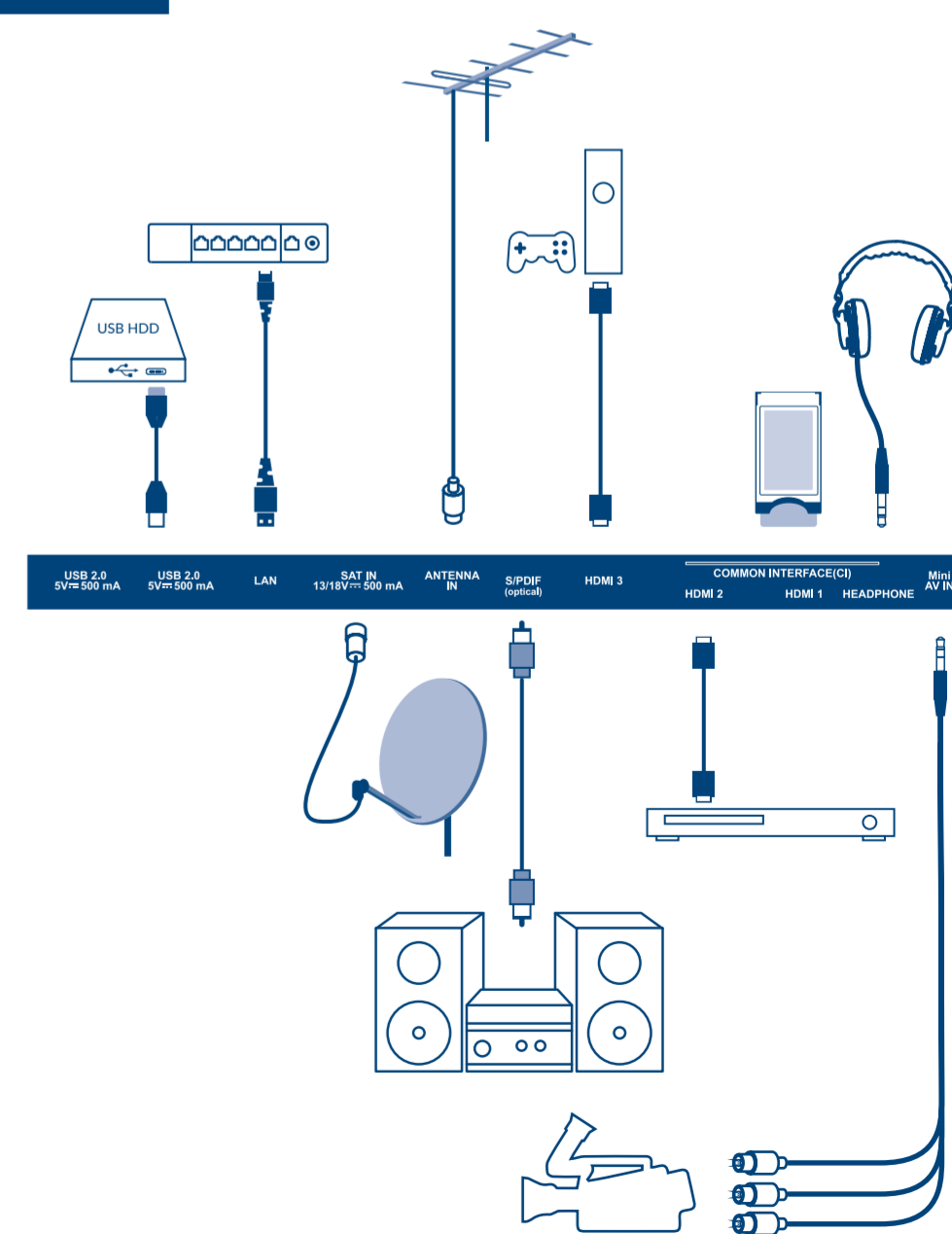
\*Wall-mount and screws not included in the packaging



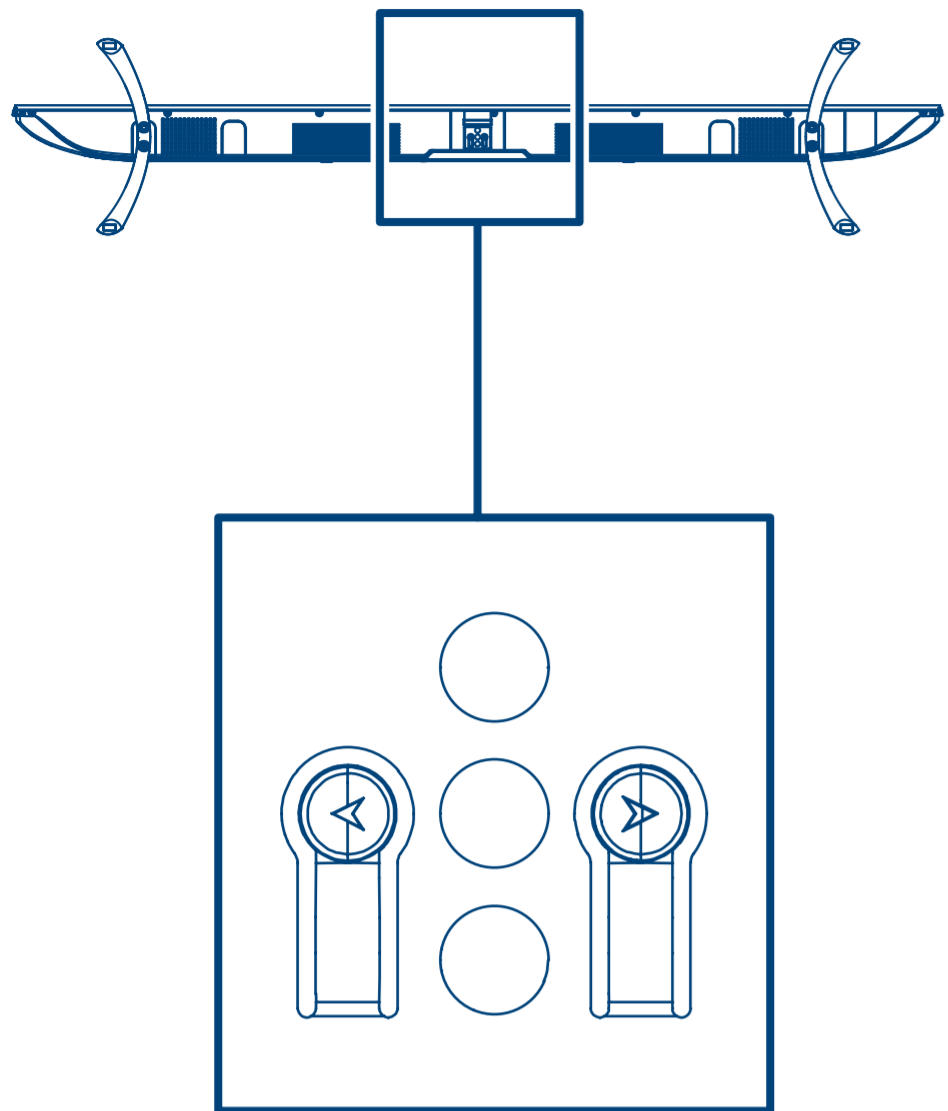
2.



3.



4.



5.

**DVB-S2**

The DVB-S2 setup process is shown through a series of screenshots. It starts with a 'Channel installation' screen where 'Tuner mode' is set to 'Satellite' and 'Type' is 'Digital'. A 'MENU' button is visible on the left. Below this is another 'Channel installation' screen with the same settings. The next screen is 'Satellite Tune', showing 'Satellite' as 'Ku\_Astra' and 'Programmes found: 0'. A 'MENU' button is on the left. This is followed by a 'Satellite Tune' screen with 'Channel Search' options: 'Scan Mode' (set to 'Blind Scan'), 'Network' (set to 'Default'), and 'Channel Type' (set to 'Blind Scan'). An 'Enter' button is at the bottom. The final screen is 'Satellite Tune' showing 'Satellite Index: Ku\_Astra 1KR/1L/1M/1N 19.2E', 'Programmes found: 0', and 'Frequency (MHz): 11112'. An 'OK' button is at the bottom.

5.

**DVB-T2**

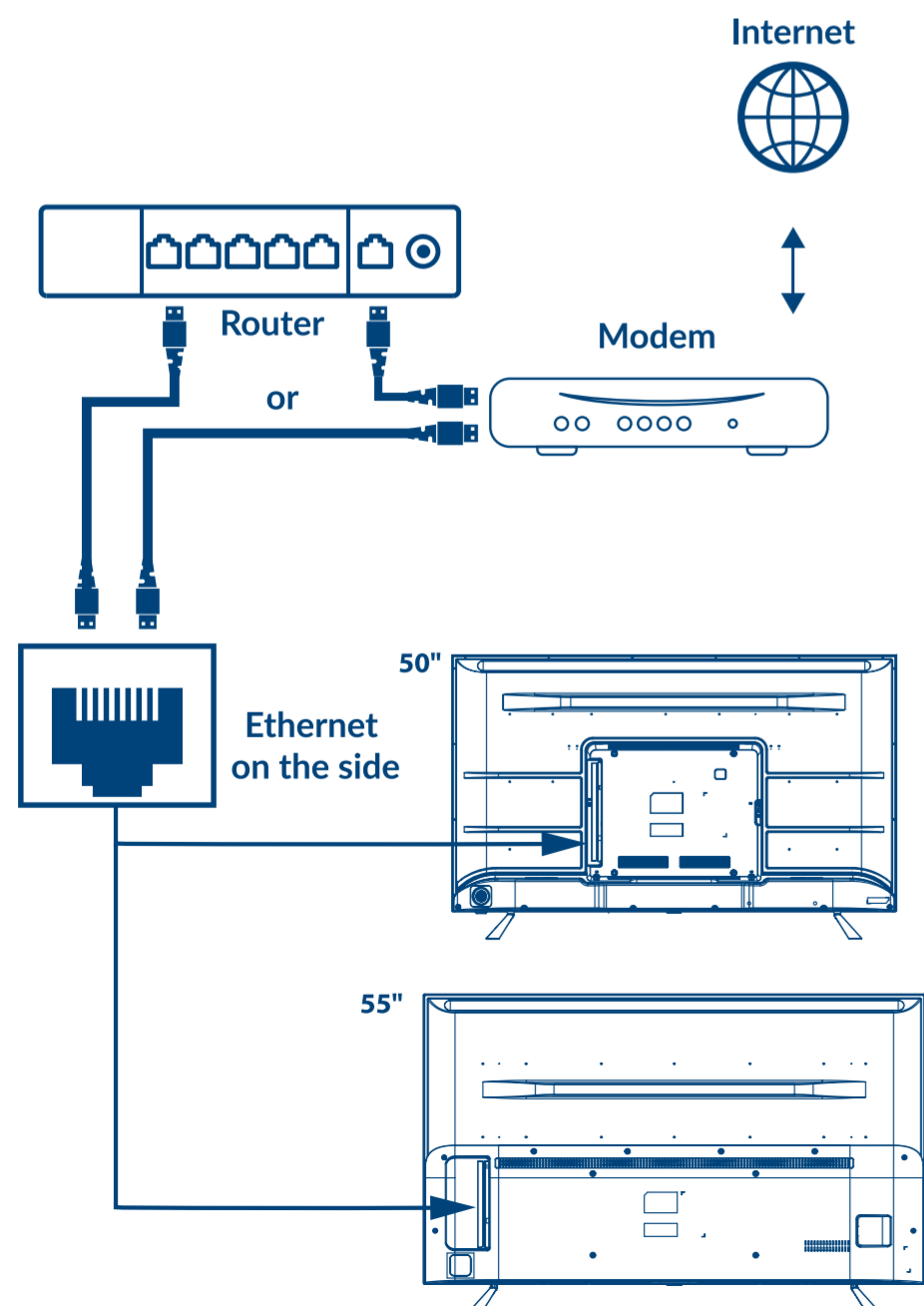
The DVB-T2 setup process is shown through a series of screenshots. It starts with a 'Channel installation' screen where 'Tuner mode' is set to 'Antenna' and 'Type' is 'Digital'. A 'MENU' button is visible on the left. Below this is another 'Channel installation' screen with the same settings. The next screen is 'Digital Setup', showing 'Number of services found: 0' and 'Frequency (MHz): 786.000'. A progress bar and 'Searching...' text are present. An 'OK' button is at the bottom.

5.

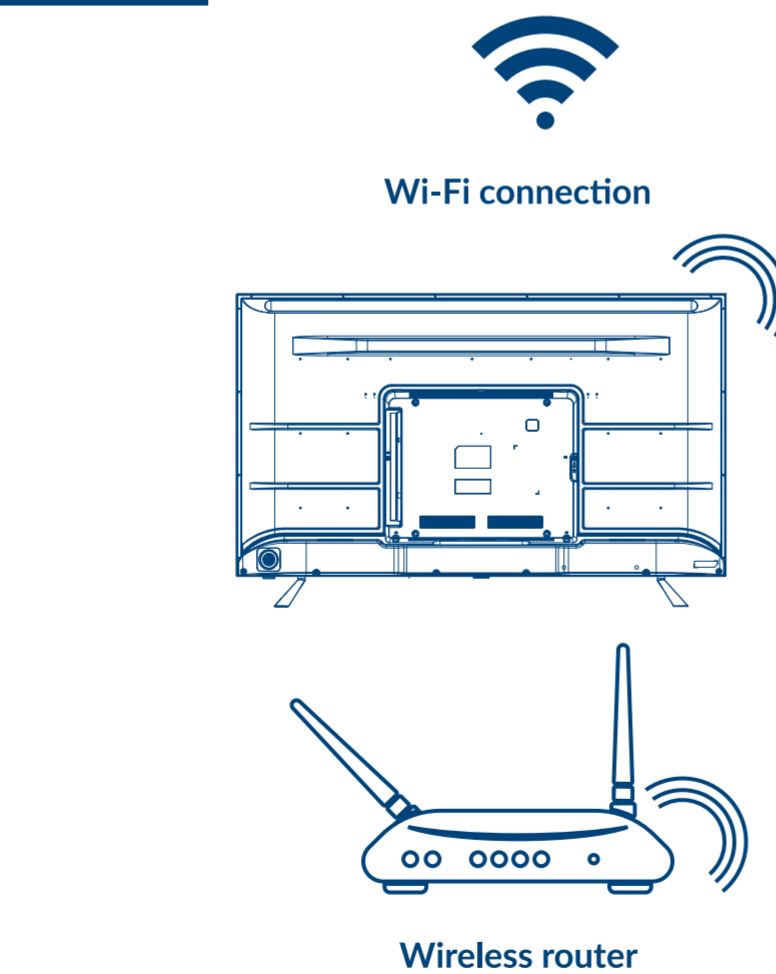
**DVB-C**

The DVB-C setup process is shown through a series of screenshots. It starts with a 'Channel installation' screen where 'Tuner mode' is set to 'Cable' and 'Type' is 'Digital'. A 'MENU' button is visible on the left. Below this is another 'Channel installation' screen with the same settings. The next screen is 'Digital Setup', showing 'Number of services found: 0' and 'Frequency (MHz): 282.000'. A progress bar and 'Searching...' text are present. An 'OK' button is at the bottom.

6.



6.



**Disclaimer:**

Please be aware that STRONG, its manufacturing partners, the application providers and the providers of the services may collect and use technical data and related information, including but not limited to technical information about this device, system and application software and peripherals. STRONG, its manufacturing partners, the application providers and the providers of the services may use such information to improve its products or to provide services or technologies to you, as long as it is in a form that does not personally identify you. Additionally, please keep in mind that some services provided - already in the device or installed by you - may request a registration for which you have to provide personal data. Beside that, please be aware that some services which are not pre-installed but can be installed may collect personal data even without providing additional warnings and that STRONG cannot be held liable for a possible breach of data protection by services not pre-installed.

**Licenses**

THIS PRODUCT IS LICENSED UNDER THE AVC PATENT PORTFOLIO LICENSE FOR THE PERSONAL AND NONCOMMERCIAL USE OF A CONSUMER TO (i) ENCODE VIDEO IN COMPLIANCE WITH THE AVC STANDARD ("AVC VIDEO") AND/OR (ii) DECODE AVC VIDEO THAT WAS ENCODED BY A CONSUMER ENGAGED IN A PERSONAL AND NON-COMMERCIAL ACTIVITY AND/OR WAS OBTAINED FROM A VIDEO PROVIDER LICENSED TO PROVIDE AVC VIDEO. NO LICENSE IS GRANTED OR SHALL BE IMPLIED FOR ANY OTHER USE. ADDITIONAL INFORMATION MAY BE OBTAINED FROM MPEG LA, L.L.C. SEE HTTP://WWW.MPEGLA.COM

This product contains one or more programs protected under international and U.S. copyright laws as unpublished works. They are confidential and proprietary to Dolby Laboratories. Their reproduction or disclosure, in whole or in part, or the production of derivative works therefrom without the express permission of Dolby Laboratories is prohibited. Copyright 2003-2009 by Dolby Laboratories. All rights reserved.

THIS PRODUCT IS SOLD WITH A LIMITED LICENSE AND IS AUTHORIZED TO BE USED ONLY IN CONNECTION WITH HEVC CONTENT THAT MEETS EACH OF THE THREE FOLLOWING QUALIFICATIONS: (1) HEVC CONTENT ONLY FOR PERSONAL USE; (2) HEVC CONTENT THAT IS NOT OFFERED FOR SALE; AND (3) HEVC CONTENT THAT IS CREATED BY THE OWNER OF THE PRODUCT. THIS PRODUCT MAY NOT BE USED IN CONNECTION WITH HEVC ENCODED CONTENT CREATED BY A THIRD PARTY, WHICH THE USER HAS ORDERED OR PURCHASED FROM A THIRD PARTY, UNLESS THE USER IS SEPARATELY GRANTED RIGHTS TO USE THE PRODUCT WITH SUCH CONTENT BY A LICENSED SELLER OF THE CONTENT. YOUR USE OF THIS PRODUCT IN CONNECTION WITH HEVC ENCODED CONTENT IS DEEMED ACCEPTANCE OF THE LIMITED AUTHORITY TO USE AS NOTED ABOVE.

**SIMPLIFIED EU DECLARATION OF CONFORMITY**

Hereby, STRONG declares that the radio equipment type SRT 50UC7433 and SRT 55UC7433 are in compliance with Directive 2014/53/EU. The full text of the EU declaration of conformity is available at the following internet address: <https://www.strong.tv/en/doc>

Subject to alterations. In consequence of continuous research and development technical specifications, design and appearance of products may change. The terms HDMI and HDMI High-Definition Multimedia Interface, and the HDMI logo are trademarks or registered trademarks of HDMI Licensing Administrator, Inc in the United States and other countries. Wi-Fi is a registered trademark of Wi-Fi Alliance®. Netflix is a registered trademark of Netflix, Inc. YouTube™ is a trademark of Google Inc. All product names are trademarks or registered trademarks of their respective owners. © STRONG 2021. All rights reserved.