

STRONG

LED TV with DVB-T2/C/S2
SRT 24HC3023



User Manual
Bedienungsanleitung
Manuel utilisateur
Manual del Usuario
Инструкции за употреба
Uživatelská příručka
Korisnički priručnik
Használati útmutató
Manuale utente

Gebruiksaanwijzing
Instrukcja obsługi
Manual do Utilizador
Manual de Utilizare
Uputstvo za upotrebu
Používateľská príručka
Navodila za uporabo
Посібник користувача
Руководство пользователя

Fig. 1

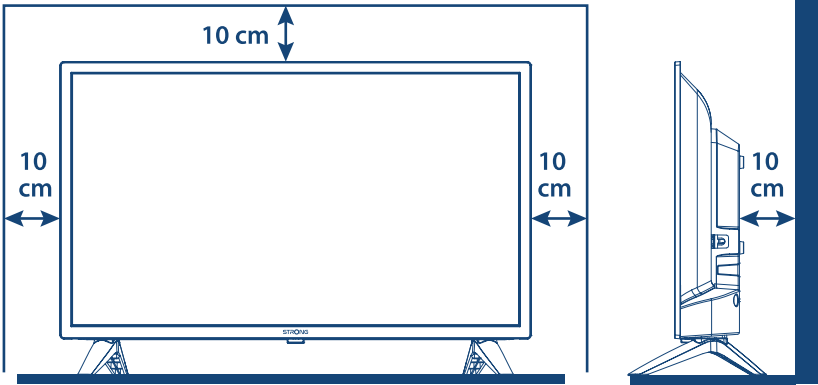


Fig. 2

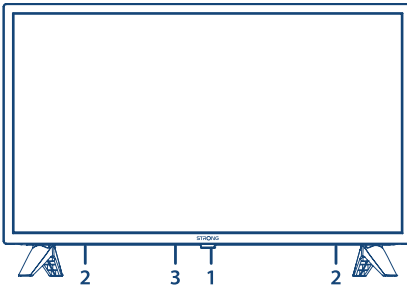


Fig. 3

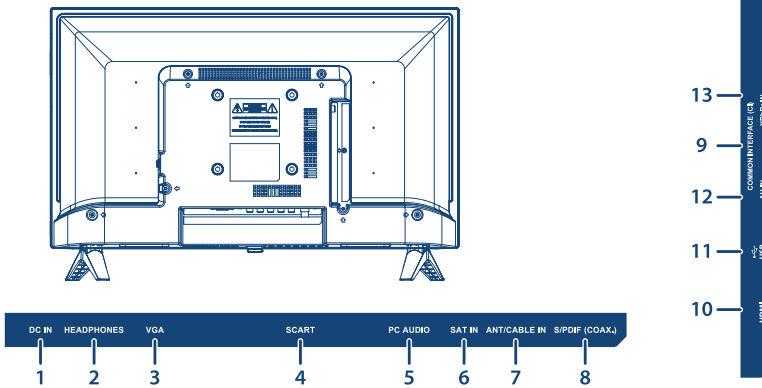


Fig. 4

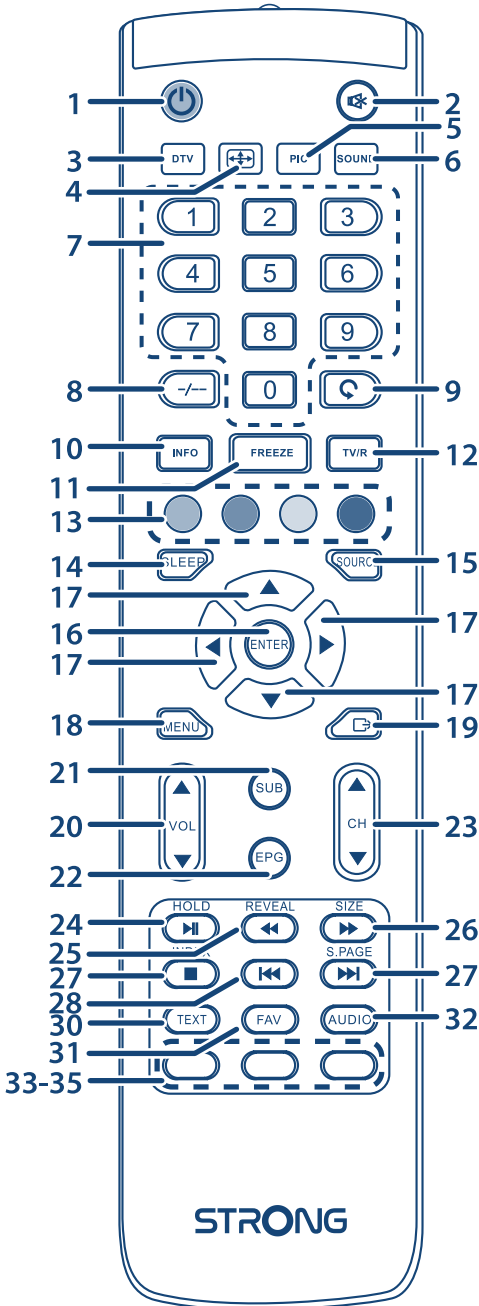
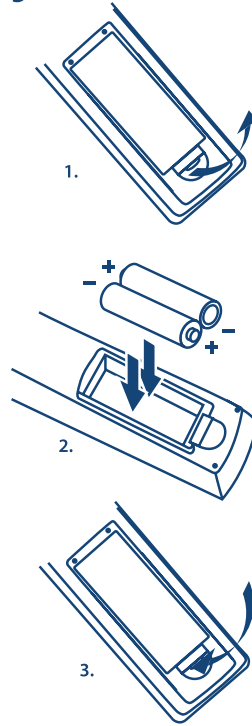


Fig. 5



SERVICE CENTER

AT	 support_at@strong.tv  0820 400 150 (€ 0,12/Min. österr. Festnetz)	HU	 support_hu@strong.tv  +36 1 445 26 10
BG	 support_bg@strong.tv  +359 32 634451	IT	 support_it@strong.tv  199 404 032 Da rete fissa 24,8 cent. al min. 12,5 cent. scatto alla risposta Da rete mobile max 49 cent. al min. 15,6 cent. scatto alla risposta
CZ	 support_cz@strong.tv  844 44 44 90	NL	 support_nl@strong.tv
DE	 support_de@strong.tv  0180 501 49 91 (€ 0,14/Min. deutsches Festnetz) (€ 0,42/Min. max. Mobilfunknetze)	PL	 support_pl@strong.tv  801 702 017
DK	 support_dk@strong.tv	PT	 support_pt@strong.tv  +351 2 100 06 125
ES	 support_es@strong.tv  +34 91 119 61 76	SK	 support_sk@strong.tv  0850 15 05 50
FR	 support_fr@strong.tv	SL	 +386 1 828 08 58
HR	 +385 1 344 57 66	UA	 support_ua@strong.tv  +380 (44) 238 61 50

www.strong.tv

Supplied by STRONG Austria
Represented by STRONG Ges.m.b.H.
Franz-Josefs-Kai 1
1010 Vienna, Austria
Email: support_at@strong.tv

Licenses



THIS PRODUCT IS LICENSED UNDER THE AVC PATENT PORTFOLIO LICENSE FOR THE PERSONAL AND NONCOMMERCIAL USE OF A CONSUMER TO (i) ENCODE VIDEO IN COMPLIANCE WITH THE AVC STANDARD ("AVC VIDEO") AND/OR (ii) DECODE AVC VIDEO THAT WAS ENCODED BY A CONSUMER ENGAGED IN A PERSONAL AND NON-COMMERCIAL ACTIVITY AND/OR WAS OBTAINED FROM A VIDEO PROVIDER LICENSED TO PROVIDE AVC VIDEO. NO LICENSE IS GRANTED OR SHALL BE IMPLIED FOR ANY OTHER USE. ADDITIONAL INFORMATION MAY BE OBTAINED FROM **MPEG LA, L.L.C.** SEE [HTTP://WWW.MPEGLA.COM](http://www.mpegla.com)

This product contains one or more programs protected under international and U.S. copyright laws as unpublished works. They are confidential and proprietary to **Dolby Laboratories**. Their reproduction or disclosure, in whole or in part, or the production of derivative works therefrom without the express permission of Dolby Laboratories is prohibited. Copyright 2003-2009 by Dolby Laboratories. All rights reserved.

SIMPLIFIED EU DECLARATION OF CONFORMITY

Hereby, STRONG declares that the device SRT 24HC3023 is in compliance with Directive 2014/53/EU.

The full text of the EU declaration of conformity is available at the following internet address: <https://www.strong.tv/en/doc>

Subject to alterations. In consequence of continuous research and development technical specifications, design and appearance of products may change. Manufactured under license from Dolby Laboratories. Dolby Audio and the double-D symbol are trademarks of Dolby Laboratories. The terms HDMI and HDMI High-Definition Multimedia Interface, and the HDMI logo are trademarks or registered trademarks of HDMI Licensing Administrator, Inc in the United States and other countries. All product names are trademarks or registered trademarks of their respective owners.

© STRONG 2022. All rights reserved.

To obtain the best performance and safety, please read this manual carefully. Please keep this manual for future reference.



TABLE OF CONTENTS

1.0 INSTRUCTION	3
1.1 Safety Instructions	3
1.2 Storage	4
1.3 Accessories	4
1.4 Equipment set-up	4
2.0 INSTALLATION	5
2.1 Default PIN code: 0000	5
2.2 Front panel/underside	5
2.3 Rear Panel	5
2.4 Remote control	5
2.5 Installing the batteries	6
2.6 Using the remote control	7
3.0 FIRST TIME INSTALLATION	7
3.1 DVB-S/S2 installation	7
3.2 DVB-T/T2 installation	8
3.3 DVB-C installation	8
4.0 ELECTRONIC PROGRAMME GUIDE (EPG)	8
5.0 MENU SETTINGS	9
5.1 Menu control (DTV mode)	9
5.2 Channel	9
5.3 Picture menu	10
5.4 Sound menu	11
5.5 Time menu	11
5.6 Lock	12
5.7 Setup Menu	12
6.0 MEDIA	13
6.1 Reminder when using the USB player	13
6.2 USB menu	14
7.0 TROUBLESHOOTING	16
8.0 SPECIFICATIONS	18

1.0 INSTRUCTION

1.1 Safety Instructions

Read all of the instructions before operating the set. Keep these instructions well for later use.

- Only use attachments/accessories specified or provided by the manufacturer (such as the exclusive supply adapter, battery etc.).
- Please refer to the information on the exterior back enclosure for electrical and safety information before installing or operating the apparatus.
- To reduce the risk of fire or electric shock, do not expose this apparatus to rain or moisture.
- The ventilation should not be impeded by covering the ventilation openings with items, such as newspaper, table-cloths, curtains, etc.
- The apparatus shall not be exposed to dripping or splashing and no objects filled with liquids, such as vases, shall be placed on the apparatus.
- The mark  indicates a risk of electric shock. The external wires must be installed by an instructed person or ready-made leads or cords must be used.
- To prevent injury, this apparatus must be securely attached to the floor/wall in accordance with the installation instructions.
- Danger of explosion if the battery is incorrectly replaced. Replace only with the same or equivalent types.
- The battery (battery or batteries or battery pack) shall not be exposed to excessive heat such as sunshine, fire or the like.
- Excessive sound pressure from earphones and headphones can cause hearing loss. Listening to music at high volume levels and for extended durations can damage one's hearing.
- In order to reduce the risk of damage to hearing, one should lower the volume to a safe, comfortable level, and reduce the amount of time listening at high levels.
- The mains plug or appliance coupler is used as disconnect device, it shall remain readily operable. When not in use and during movement, please take care of the power cord set, e.g. tie up the power cord set with cable tie or something like that. It shall be free from sharp edges or similar which can cause abrasion of the power cord set. When put into use again, please make sure the power cord is not damaged. In case of damages, please get the power cord replaced by a similar one with the same specifications. The absence of a light indication on the apparatus does not mean that it is fully disconnected from the mains. To disconnect the apparatus completely, the mains plug must be pulled out.
- Attention should be drawn to environmental aspects of battery disposal.
- No naked flame sources, such as lighted candles, should be placed on the apparatus.
-  To prevent the spread of fire, keep candles or other open flames away from this product at all times.
- A USB terminal can provide a maximum of 500 mA.
-  Equipment with this symbol is a Class II or double insulated electrical appliance. It has been designed in such a way that it does not require a safety connection to electrical earth.

Operating Environment

- Do not install this equipment in a confined space such as a bookcase or similar unit.
- Do not use the set near damp, and cold areas, protect the set from overheating.
- Keep away from direct sunlight.
- Do not use the set near dust place.
- Do not attach candle to accessible opening area, to avoid flammable foreign material from entering the TV.

WEEE Directive



Correct Disposal of this product. This marking indicates that this product should not be disposed with other household wastes throughout the EU. To prevent possible harm to the environment or human health from uncontrolled waste disposal, recycle it responsibly to promote the sustainable reuse of material resources. To return your used device, please use the return and collection systems or contact the retailer where the product was purchased. They can take this product for environmental safe recycling.

1.2 Storage

Your device has been carefully checked and packed before shipping. When unpacking it, make sure that all the parts are included and keep the packaging away from children. We recommend that you keep the carton during the warranty period, to keep your device perfectly protected in the event of repair or warranty.

1.3 Accessories

- 1x installation instructions
- 1x safety instructions/warranty cards
- 1x remote control
- 2x AAA batteries

1.4 Equipment set-up

Fig. 1a

Install the display on a solid horizontal surface such as a table or desk. For ventilation, leave a space of at least 10 cm free all around the set. To prevent any fault and unsafe situations, please do not place any objects on top of the set. This apparatus can be used in tropical and/or moderate climates.

Stand assembly instruction

Fig. 1b

1. Carefully place the TV with its front side facing down on a cushioned flat surface in order to protect the TV and the TV screen from damage.
2. Take out the 2x feet and assemble them to the TV.
3. Fasten the feet to the bottom of the TV using the 4xPA4x14mm screws.

Fig. 1c

This user manual provides complete instructions for installing and using this TV. The symbols serve as follows.

WARNING	Indicates warning information.
NOTE	Indicates any other additional important or helpful information.
MENU	Represents a button on the remote control or the TV. (Bold characters)
<i>Move to</i>	Represents a menu item within a window. <i>(Italic characters)</i>

2.0 INSTALLATION

2.1 Default PIN code: 0000

2.2 Front panel/underside

Fig. 2

NOTE: The graphics are for representation only.

1. Power indicator /remote sensor
2. Speakers
3. Buttons: Input source, Menu, V-/V+, CH-/CH+, Standby/ON.

2.3 Rear Panel




NOTE: The graphics are for representation only.

Fig. 3

1. **DC IN** Connect to an outlet.
2. **HEADPHONE** Speakers will be muted when earphone is plugged in and headphone selected.
3. **VGA** Connect a VGA source, like computers may have
4. **SCART** Connect devices like DVD or VCR using SCART cable
5. **PC AUDIO** Connect to audio output of PC
6. **SAT IN** Connect a satellite dish to the TV for searching programmes.
7. **ANT/CABLE IN** Connect a terrestrial antenna or cable connection from your provider to the TV for searching programmes.
8. **S/PDIF (coax. output)** Use an RCA cable to connect your TV to a compatible digital amplifier or Home theatre set.
9. **COMMON INTERFACE (CI+)** Connect a Conditional Access Module (CAM).
10. **HDMI** Connect HDMI input signal from a signal source such as DVD, Blu-ray player or game console.
11. **USB** Connect a USB device for playback of multimedia files
12. **AV IN** 3.5 mm female jack entry for composite video and left/right audio connection.
13. **YPbPr** Connect YPbPr sources.

2.4 Remote control

Fig. 4

1.  Press to turn the TV on or standby.
2.  Press to mute or restore the volume.
3. **DTV** Press to go back to Digital TV.
4. **(ASPECT)**  Change aspect ratio.
5. **(PICTURE) PIC** Change picture mode.

- | | |
|----------------------|---|
| 6. SOUND | Change sound mode |
| 7. 0~9 | Choose channel directly. |
| 8. DIGIT_IMG | Change the maximum input programme digit |
| 9. ⏪ | Press to go back to previous viewed channel. |
| 10. INFO | Display information about the current source. |
| 11. FREEZE | Press to hold the picture |
| 12. TV/R | Switch between TV and radio. |
| 13. COLOUR BUTTONS | |
| | Press to execute the prompt function in TV or DTV menu mode. |
| 14. SLEEP | Select the sleep time, such as 10 min, 20 min etc. |
| 15. SOURCE | Press to change signal source |
| 16. ENTER | Confirm the selection. |
| 17. ▲▼◀▶ | Navigate the menu. |
| 18. MENU | Open the menu options. Step back in some menu options. |
| 19. ⏩ | Exit the current menu. |
| 20. VOL +/- | Adjust the volume up or down. |
| 21. (SUB.PAGE) SUB.P | |
| | Press this button to enter or exit subpage mode (if subpage is available. Press the ◀▶ buttons to select a subpage. |
| 22. EPG | Press to display the current EPG information in DTV mode. |
| 23. CH +/- | Change programmes up or down. Big steps in Channel list. |
| 24. HOLD | Press to hold the teletext page on screen without update and changes. Press again to release the hold state. |
| 25. (REVEAL) TIP | In teletext mode, press to reveal the hidden information. |
| 26. SIZE | Enlarge the teletext display. Press this button once to enlarge upper half of the screen. Press this button again to enlarge lower half of the screen. Press this button again to resume to normal screen size. |
| 27. INDEX | Press this button to display index page. |
| 28. ⏮ | Press to play the previous file. |
| 29. ⏭ | Press to play the next file. |
| 30. TEXT | Press to enter or exit the teletext menu. |
| 31. FAV | Press to view your assigned favourite list or main list channels. Press ▲▼ to cycle through your assigned favourite channels, press OK to confirm. |
| 32. AUDIO | Press to select available audio languages. Selecting audio description, a narrator will describe what is happening on the screen for blind or visually impaired viewers. Press again to turn it off (depending on broadcast). |
| 33-35. | No function |

2.5 Installing the batteries

Fig. 5

Place 2x AAA batteries in the battery compartment of the remote control. Make sure to match the polarity markings inside the compartment.

NOTE: Pictures are only for reference. Actual items may differ.

1. Open the cover.
2. Put 2x AAA batteries in the compartment and make sure the polarity is correct.
3. Close the cover.

Precautions for using the battery

Improper using of the battery will cause leakage. Carefully follow these instructions.

1. Please note the batteries' polarity to avoid short circuit.
2. When the battery's voltage is insufficient which affect the use range, you should replace it with a new battery. Remove the batteries from the remote control unit if you do not intend to use it for a long time.
3. Do not use different types of batteries (for example Manganese and Alkaline batteries) together.
4. Do not put the battery into fire, and charge or decompose the battery.
5. Please dispose batteries abide by relevant environmental protection regulation.

2.6 Using the remote control

- Use the remote control by pointing it towards the remote sensor. Items between the remote control and the remote sensor could block normal operation.
- Do not cause the remote control to vibrate violently. Also, do not splash liquid on the remote control, also do not put the remote control in a high humidity place.
- Do not place the remote control under direct sunlight which will cause deformation of the unit by heat.
- When the remote sensor is under direct sunlight or strong lighting, the remote control will not work. If so, please change the lighting or TV's position, or operate the remote control closer to the remote sensor.

3.0 FIRST TIME INSTALLATION

After all connections have been properly made, switch on your TV. The language selection will appear on screen. Use ◀▶ to select the *OSD Language* of your preference. Press ▼ and then use ◀▶ to select the country where you will use this TV. This is important to set settings as time zone and text character correctly. Press ▼ to change *Environment* from Home to Shop modus to demonstration TV in shop, otherwise keep as it is.

Press **ENTER** for next step to go to *Tuning setup*.

In Tuner setup selection you select which tuner input source you like to use.

<i>Tuner Type</i>	If you still have analogue signals in DVB-T or DVB-C. Select here between options of Digital /+ Analogue systems.
<i>Digital type</i>	<p><i>Satellite</i> to receive satellite broadcasts if you are equipped with a satellite dish),</p> <p><i>DVB-T</i> to receive terrestrial broadcasts with indoor or outdoor antenna.</p> <p><i>DVB-C</i> to receive cable broadcasts if you have cable connection from local provider.</p>

Next step is depending of your choice in Tuner setup.

3.1 DVB-S/S2 installation

Satellite

Press ▼ to select *Satellite* and use ◀▶ to highlight the satellite your dish is aimed at. Use ▲▼◀▶ to highlight the options of choice and press **ENTER** to start the channel search.

<i>Scan Mode</i>	Choose between <i>Default</i> (recommended), <i>Blind Scan</i> and <i>Network</i>
<i>Channel type</i>	Select <i>Free</i> to search Free-To-Air channels only <i>Free + Scrambled</i> to search FTA and Encrypted channels or <i>Scramble</i> to search Encrypted channels only.

Service Type Select *All* to search DTV channels and Radio. Select *RADIO* to search radio channels only or *DTV* for only Digital TV channels.

It is recommended to use the default settings.

3.2 DVB-T/T2 installation

Terrestrial Setting

Press **ENTER** to start directly searching for digital channels.

Optional you can search also for analogue channels.

Press **▲** and select the Tune Type.

By pressing **◀▶** select *DTV*, *ATV* or *DTV+ATV* (*DTV* to search digital broadcasts and *ATV* to search analogue broadcasts).

3.3 DVB-C installation

Cable Setting

Press **▲▼◀▶** to highlight your settings.

Scan type You can select *Network Scan*, *Blind scan* or *Full*.

Network ID The default setting is *Auto*. To enter your own value press **◀▶** and enter (with **0 ~ 9**) the used *Network ID* from your provider.

Frequency The default setting is *Auto*. To enter your own value press **◀▶** and enter (with **0 ~ 9**) the main frequency used by your provider in KHz.

Symbol Rate The default setting is *Auto*. To enter your own value press **◀▶** and enter (with **0 ~ 9**) the used *Symbol Rate* from your provider. (Ks/s) most used values are 6900 or 6875.

Optional you can search also for analogue channels.

Press **▲** select the Tune Type.

By pressing **◀▶** select *DTV*, *ATV* or *DTV+ATV* (*DTV* to search digital broadcasts and *ATV* to search analogue broadcasts).

NOTE:

Please, check the settings for your cable system used by your provider! *Full scan* will have a duration of approximately 20 minutes, depending on your cable network.

Press **ENTER** to start searching for digital channels.

4.0 ELECTRONIC PROGRAMME GUIDE (EPG)

EPG stands for Digital Electronic Programme Guide. It is supplied by the programme providers and offers information on broadcasted programmes. You can access it in digital mode by pressing **EPG** on the remote control. Press **EPG** to bring up the EPG interface. Use **▲▼** to select a channel.

Press **▶** to switch to overview from one channel EPG. Use **DOWN/UP** to select event where you like to know more details. These details are displayed on top of this EPG banner or press **INFO** button for full screen. Press **EXIT** to stop and return to viewing modes.

Then press the **COLOUR BUTTONS** for entering the required settings.

GREEN	Set a reminded to event or set even Timer function.
YELLOW	Overview of previous day
BLUE	Overview of next day

5.0 MENU SETTINGS

Below items depend if they are available of select input source. Use **SOURCE** to select other source. Selections are Satellite, DTV, ATV, AV, PC, SCART, Component, HDMI and Media.

5.1 Menu control (DTV mode)

Press **MENU** to enter the main menu. Press ◀▶ to select an item. Press ▲▼ and **ENTER** to select the submenus. Press **MENU** to exit the item.

5.2 Channel

Press **MENU** to display the main menu. Press ◀▶ to select *Channel* in the main menu. Press ▲▼ to select the option you wish to adjust in the *Channel* menu.

Press **ENTER** to adjust. After finish your adjustment, press **MENU** to save and return to the previous menu. Below items depend if they are available of select input source. Use **SOURCE** to select other source.

5.2.1 Auto Tuning

Press ▲▼ to select *Auto Tuning*. If the TV use DVB-T or DVB-C tuner please refer to chapters 3.2 and 3.3; for Satellite (DVB-S) tuner please refer to chapter 3.1.

5.2.2 Dish Setup

If you use *Satellite* as input source, the *Dish Setup* menu allow you to set you satellite and belonging settings as DiSEqC port and LNB type. Afterwards you may start the *Auto Tuning* or *Manual Tuning* by selecting with *EPG* button the wanted transponder.

5.2.3 DTV Manual Tuning (in DVB-T mode only)

Search and store programmes manually. Press ▲▼ to select *DTV Manual Tuning*. Then press **ENTER** to enter the sub-menu.

Press ◀▶ to select a *Channel No.*, and then press **ENTER** to start the search. The search stops when a programme is found and this programme will be stored in the current channel position. Press **MENU** to exit.

5.2.4 ATV Manual Tuning (in DVB-C mode only)

First select the source type of ATV. Then in the *Channel* menu, select *ATV Manual Tuning* and press **ENTER** to access. Highlight and press ▲▼ to select *Storage To 1* (maybe other number), *Sound System* and *Channel No.*. Then select search and press **ENTER** to start the search. Press ▶ for the unit to search towards higher frequency. Press ◀ for the unit to search towards lower frequency. The search stops when a programme is found and this programme will be stored in the current channel position. If you want to stop the search, press **MENU**.

<i>Current CH</i>	Set the channel number
<i>Colour System</i>	Select the colour system (Available: AUTO, PAL, SECAM)

<i>Sound System</i>	Select the Sound system
<i>Fine-Tune</i>	Adjust the frequency of the channel
<i>Search</i>	Start the channel search

5.2.5 Channel extra settings

<i>Programme Edit</i>	Edit the programmes. You can press the COLOUR BUTTONS on the remote control to skip programmes, rename and delete programmes or move programmes, and add programmes to the favourite list by pressing FAV .
<i>Signal Information</i>	Showing the information of current DTV channel. Only available with DTV signal.
<i>CI information</i>	In the case you use an CI Module for decoding encoded channels, this menu shows the internal menu of the card and/or CAM.
<i>Logical Channel Numbering LCN</i>	This function sort channels automatically to logic order in DVB-T modus if broadcaster support this function. Press ENTER to select <i>On</i> or <i>Off</i> .
<i>Channel Type</i>	Select <i>FTA</i> to search Free-To-Air channels only, or <i>ALL</i> to search FTA and Encrypted channels.

NOTE: If *Logical Channel Numbering* function is set to ON then sorting of channels is not possible in normally way. *Logical Channel Numbering* and *Channel Type* functions are not available when Satellite tuner is selected.

5.3 Picture menu

<i>Picture Mode</i>	Select one of the automatic picture control mode. Available choices are <i>Dynamic</i> , <i>Standard</i> , <i>Mild</i> . Select <i>Personal</i> to adjust Contrast, Brightness, Colour and Sharpness as you like.
<i>Colour Temperature</i>	Select the overall colour tone of the picture. Available choices are <i>Cool</i> , <i>Medium</i> , <i>Warm</i> .
<i>Noise Reduction</i>	Eliminates noise in the picture. Available choices are <i>Off</i> , <i>Low</i> , <i>Middle</i> , <i>High</i> and <i>Default</i> .

5.3.1 Contrast/Brightness/Colour

If *Picture Mode* is set to *Personal* you are able to change the following settings

Press **▲▼** to select an option, then press **◀▶** to adjust.

<i>Contrast</i>	Adjust the highlight intensity of the picture, but the shadow of the picture is invariable.
<i>Brightness</i>	Adjust the optical fiber output of the entire picture, it will effect the dark region of the picture.
<i>Colour</i>	Adjust the saturation of the colour based on your own preference.
<i>Tint</i>	No function

5.3.2 Colour Temperature

In this menu you can change the overall colour cast of the picture.

Press ▲▼ to select *Colour Temperature*, then press **ENTER** to enter a sub-menu. Press ▲▼ to select the relevant picture effect (DEFAULT: *Cold Normal Warm*).

<i>Cold</i>	Increase the blue tone for the white.
<i>Normal</i>	Increase the neutral colours for the white.
<i>Warm</i>	Increase the red colour for the white.

5.3.3 Noise Reduction

In this menu you can filter out and reduce the image noise and improve picture quality. Press ▲▼ to select *Noise Reduction*, then press **ENTER** to enter a sub-menu.

<i>Off</i>	Select to turn off video noise detection.
<i>Low</i>	Detect and reduce low video noise.
<i>Middle</i>	Detect and reduce moderate video noise.
<i>High</i>	Detect and reduce enhanced video noise.
<i>Default</i>	Set as Default.

5.4 Sound menu

<i>Sound Mode</i>	Select your favourite sound mode for each input. Choices are <i>Standard, Music, Movie, Sports</i> and <i>Personal</i> .
<i>Treble</i>	Adjusts the higher frequency of the sound.
<i>Bass</i>	Adjusts the lower frequency of the sound.
<i>Balance</i>	Control the sound balance between the right and left loudspeaker (earphone).
<i>Auto Volume</i>	Adjust the volume corresponding to the input audio level. Options are <i>On</i> and <i>Off</i> .
<i>S/PDIF Mode</i>	If you have connected S/PDIF output to digital home audio system. You can select <i>Auto</i> to output Dolby audio automatically. If channel have this audio channel. Select <i>PCM</i> to output only stereo audio or <i>OFF</i> to switch output off.
<i>AD Switch</i>	Turn on the <i>Audio</i> description, you can activate the setting of AD volume. When turn on the audio description, a narrator will describe what is happening on the screen for blind or visually impaired viewers. (Only if available in DTV mode.)

5.5 Time menu

Press **MENU** to display the main menu. Press ◀▶ to select *TIME* in the main menu. Press ▲▼ to do further adjustments. Press **ENTER** to confirm or Press **MENU** to return.

<i>Clock</i>	The time is automatically obtained from the channel transmission and doesn't have to be set manually.
<i>Time Zone</i>	Press ▲▼◀▶ to select <i>Time Zone</i> if you like to change to other zone.
<i>Sleep Timer</i>	Press ▲▼ to select <i>Sleep Timer</i> . Available Options: <i>Off, 10 min., 20 min., 30 min., 60 min., 90min., 120 min., 180 min. and 240 min.</i>

- Auto Standby* This function allows you to set the automatic shutdown of your TV. Choose between *3H*, *4H*, *5H* or *Off* to disable this function.
- OSD Timer* This function allows you to choose how long the channellist banner is displayed. Choose between *5s*, *15s* or *30s*.

5.6 Lock

Press **MENU** to display the main menu. Press ◀▶ to enter the *Lock* menu settings. To enable enter the PIN code (default:0000). Press ▲▼ to select the options. The following options are available:

- System Lock* This option allows you to enable or disable the password protection. Press **ENTER** then Pin code to set this function *On* or *Off*.
- Set Password* The default password is **0000**, to customize the password press **ENTER** and follow the instruction within the menu.
- Channel Lock* This option allows you to prevent viewing of one or more channels. Press **ENTER** to display the channel list and select with ▲▼ the channel you want to be locked. Press **GREEN** to lock it. Consider the same procedure to lock other channels if needed.
- Parental Guidance* Press **ENTER** to enter and set the age for suitable programmes for children, then press ▲▼.
- Key Lock* This option allows you to Lock the TV buttons. Press ◀▶ to select *Off* or *On* to lock.

5.7 Setup Menu

- Language* Select the *Menu language* of your choice. The default setting is *English*. Press ▲▼ to select the menu language.
- TXT Languages* Press ▲▼◀▶ to select correct character type belong to language to display correct the TXT. Selection are: West, East, Russian, Arabic or Farsi.
- Audio Languages* Press ◀▶ to select *Primary* for main audio track or *Secondary* next audio channel if first is not available. Press ▲▼◀▶ to select your chosen *Audio Language*, then press **ENTER**.
- Subtitle Language* Press ▲▼◀▶ to select your chosen *Subtitle Language*, then press **ENTER** to select.
- Hearing Impaired* If you like to have extra subtitles support then select this function to *On*.
- Aspect Ratio* Change in this option the picture format from displayed video on the screen. Press **ENTER** to select. Auto, 16:9, 4:3, Zoom 1, Zoom 2.
- Blue Screen* If you select a input with no signal and like to have Blue colour screen instead black. Select this function to *On*.
- First Time Installation* This option allows you to perform the First Installation again. The complete description is available on chapter 3.
- Reset Restore Factory Default* Press ▲▼ to select this function, by pressing **ENTER**. You will reset all the settings contained in the main menu and deleted all installed channels. TV will go back to *First Time Installation*. See chapter 3.
- Software Update (USB)* If a new software release for this model is available on our website and you have copied the unzipped file to an empty USB device, formatted in FAT32, you can upgrade the system software of this TV. After successfully update

a message appears on screen. Power off by removing the main power connector. Remove USB device and power ON.

NOTE: NEVER disconnect the USB device from the TV, the TV from the main or switch OFF power during the update procedure. It can damage your device and warranty will void!

Environment Home /Shop Switch between *Home* modes and *Shop* modes with default more brightness and Auto standby to off.

HDMI CEC See next chapter 5.7.1.

5.7.1 HDMI CEC

CEC Control Select this item and Press **ENTER**. Press ◀▶ to turn the HDMI CEC *On* or *Off*.

Audio Receiver Press ◀▶ to turn the Audio Receiver *On* or *Off*.

Device Auto Power Off Press ◀▶ to turn on this feature. When finished turn off your TV. The connected device will turn off automatically.

TV Auto Power On Press ◀▶ to select this option. When finished, turn on the connected device. The TV will switch on automatically.

Device List Press **OK** to open the main menu of device.

Device Menu Access the device menu.

6.0 MEDIA

6.1 Reminder when using the USB player

1. Some USB storage devices may not be compatible to operate smoothly with this TV.
2. Back up all of the data in the USB storage device in case data is lost due to an unexpected accident. STRONG does not assume any liability for the losses by misuse or malfunction. Data backup is consumer's responsibility.
3. For large file sizes, the loading speed may be slightly longer.
4. The recognition speed of a USB storage device may depend on each device.
5. When connecting or disconnecting the USB storage device, make sure the TV is not in USB mode otherwise the USB storage device or the files stored in it may be damaged.
6. Please use only a USB storage device which is formatted in FAT16, FAT32, NTFS (playback only) file system provided with the Windows operating system. In case of a storage device formatted as a different utility programme which is not supported by Windows, it may not be recognized.
7. For Software Updates and Database functions it is recommended to use USB-Sticks (keys) in FAT16 or.32.
8. When using a USB Hard Disk Drive which is not powered independently, ensure its power does not exceed 500 mA. Otherwise the TV system will change into standby mode, and you must pull out the USB Hard Disk and restart the TV system.
9. An "Unsupported File" message will be displayed if the file format is unsupported or the file is corrupted.
10. FHD big picture needs longer time to process, which is not caused by the TV. Please be patient.
11. This TV may not support some multimedia files changed and upgraded as the change of the encoding format or other technical aspects advances.
12. Please refer to chapter 9. **Appendix** for a list of supported file formats for USB playback.

6.2 USB menu

Press **SOURCE** and select *Media*. You can view movie, music and photo files from your USB storage devices. Connect a USB storage device to the USB input terminal and select the types of media on the home page: *Movie*, *Music*, *Photo* and *text*. Press **ENTER**, the screen will show the connected USB device, press **ENTER** again to view the file folders and files. Press **▲▼** or **◀▶** to select a folder, press **ENTER** to open the folder and select the files. Highlight the one you want to play or watch or press directly **▶||** to start playing directly. Press **■** to stop playing and return to upper level folder. Continuously press **RETURN** to go back to upper level folder. Repeat again to select and play another media type.

NOTE: By choosing one of the three media types, for example *Movie*, the folders inside will display only video files and no other formats.

6.2.1 Play movies

Fig. 6

During playback, press **INFO** or **ENTER** to display/exit the menu bar (Fig. 6). Press the **USB control buttons** on the remote control to do relevant operations.

Play & Pause/Stop/Prev./Next

Press **▶||** to play or pause the playback. Press **■** to stop playing. Press **◀▶** to play the previous or the next video file. Press **INFO** and use **◀▶** to highlight the corresponding icon on the control bar, then press **ENTER**. The TV will response accordingly.

Fast Reverse/Fast Forward

Press and hold **◀▶** for seconds to draw the playing progress as your desire, then press **▶||** to start the playing from the new position.

Play Mode

Highlight the corresponding icon and press **ENTER** to switch to another play mode.

Information

Highlight the corresponding icon and press **ENTER** to view the information of the playing video.

Aspect Ratio

Highlight the button and press **ENTER** to select the display mode.

6.2.2 Play music

Fig. 7

Press **INFO** or **ENTER** to display/exit from the menu bar (Fig. 7). Press the **USB control buttons** on the remote control to do relevant operations.

Play & Pause/Stop/Previous/Next

Press **▶||** to play or pause the playback. Press **■** to stop playing. Press **◀▶** to play the previous or the next music file. Press **◀▶** to highlight the corresponding icon on the control bar, and then press **ENTER**. The TV will response accordingly.

Fast Forward/Fast Reverse

Press and hold **◀▶** for seconds to draw the playing progress as you wish, then press **▶||** on the remote control to start playing from the new position.

Repeat

Highlight the icon and press **ENTER**. You can select 3 different modes: *None* to disable the function, *1* to repeat one track only and *All* to repeat the entire list once it is finished.

Information

Highlight the icon and press **ENTER** to check the information of the playing music.

NOTE:

- If one (or more) file(s) of the play list is selected, the buttons **◀▶** will play only selected files.
- This menu only shows supported files.
- Files with other file extensions are not displayed, even if they are saved on the same USB storage device.
- An over-modulated mp3 file may cause some sound distortion during playback.
- This TV supports lyrics display (in English). The maximum number of characters per line is 48.
- The file name of music and lyrics must be the same in order to display lyrics while the music is playing.
- If you want to show the associated lyrics on the screen with the music, you must store these in the same folder using the same file name with ".lrc" file extensions.

6.2.3 Browse photos

Fig. 8

Press during viewing **INFO** or **ENTER** to display/exit from the menu bar (Fig.8). Press the **USB control buttons** on the remote control to do relevant operations.

Play & Pause/Stop/Previous/Next

Press **▶||** to play or pause the playback. Press **■** to stop playing. Press **◀▶** to show the previous or the next picture. Press **◀▶** to highlight the icon on the control bar, and then press **ENTER**. The TV will response accordingly.

Repeat

Highlight the icon and press **ENTER**. You can select 3 different modes: *None* to disable the function, *1* to repeat one track only and *All* to repeat the entire list once it is finished.

Info

Highlight the button and press **ENTER** to check the information of the shown photo.

Rotate

Highlight the icon in the menu bar and press **ENTER** to rotate the picture 90 degrees clockwise or counter clockwise.

Zoom In/Zoom Out

Highlight the icon on the menu bar and press **ENTER** to zoom in or zoom out of the image.

Move View

When the image is magnified, use this function for convenient check. Highlight this icon, press **ENTER**, then press **◀▶▲▼** to move the image.

NOTE:

The move function **◀▶▲▼** is only available when the image is enlarged.

6.2.4 Browse text documents

Press **◀▶** to select *Text* in the main menu. Then press **◀▶** to select the drive disk you choose to watch and **ENTER** to enter. Select the file you want to display by using **▲▼◀▶** and confirm with **OK**. Quit step by pressing **ENTER**. Press **◀▶** to select *return* and go back to previous menu.


6.2.5 Software update via USB

From time to time you can check if there is an improved software version available. This can be viewed and downloaded from our website www.strong.tv. Search the model number on our website's service support section. If there is an improved software version you can download the file and copy it to the root of a USB device. Then press ▲▼ button to select *Software Update (USB)* from the *SETUP* menu on your TV. Afterwards plug your USB device into the USB slot and press **ENTER** to update the respective software. Confirm with Yes using ◀▶. When the update is completed, remove the USB stick, disconnect your device from the main power supply and plug in again.

7.0 TROUBLESHOOTING

There maybe various reasons for abnormal operation of your TV set. Check your TV set according to the general procedures shown below. Additionally, we strongly recommend reading the detailed troubleshooting of your TV set in the full user manual available on our website www.strong.tv. If your TV set does not work properly after checking the general and detailed troubleshooting, please contact your dealer, the local Service Hotline, or send an email to our support via www.strong.tv. **DO NOT** try to open or disassemble your TV set. It may cause a dangerous situation and the warranty will be void.

Problem	Possible cause and solution
The LED/Standby indicator does not light up	<ol style="list-style-type: none"> 1. Check whether the power connector is completely plugged at the TV and into power socket. 2. Make sure that the switch on multipoint connectors is switched ON as well. 3. The electrical outlet may be damaged. 4. STBY LED is defective.
No Signal	<ol style="list-style-type: none"> 1. The TV is not connected to a signal source (DVB-C, DVB-S/S2 or DVB-T/T2) or the antenna (terrestrial or satellite antenna) is maybe not aligned correctly respectively the according connection and distribution equipment might show malfunction, incompatibility or defectives. 2. DVB-T/T2: Active antennas need antenna power switched ON or external power connected. Antenna is maybe out of digital signal reception in your area. Check reference from service providers about coverage. 3. DVB-S/S2: Incorrect values of some tuner parameters (e.g. one or some channel(s) changed to another transponder or are no longer emitted). Incorrect values of LNB parameters.
The picture and sound remain frozen, or macro blocks or similar distortion are visible on the screen.	<p>DVB-S/S2,DVB-T/T2: The reception signal is too weak or disturbed by electromagnetic, high-frequency, or other interference signals. DVB-T/T2 : Disturbances caused by signal reflections.</p> <p>DVB-C, DVB-S/S2: The connection cables at the signal source are too long (too high attenuation).</p> <p>DVB-T/T2, DVB-S/S2: The antenna is not properly adjusted or got misaligned after storm etc.</p>

Problem	Possible cause and solution
Any other reception or signal related problems	<ol style="list-style-type: none"> 1. Generally cables might have loosened. Moisture might have entered into cables or connectors. There is heavy rain or heavy storm at present (DVB-S/S2 and -T/T2). Check the cable connections. DVB-S/S2 and -T/T2: Check all equipment connected between the reception point and the TV. 2. Wait until heavy rain/thunderstorm passed. If no solution ask a local satellite specialist for advice. DVB-S/S2: The satellite dish is NOT aligned to the (correct) satellite(s). Ask a local satellite specialist for advice. 3. DVB-S/S2: Satellite dish is too small. Trees or buildings are in path. Ask a local satellite specialist for advice. 4. DVB-S/S2: Signal is too strong, maybe need to be attenuated. Ask a local satellite specialist for advice.
No colour	<ol style="list-style-type: none"> 1. Devices are not properly connected (scart, RCA sockets) or wrong/bad cables are used. 2. Adjust the saturation. 3. Switch TV on another channel. It is possible that the current programme is broadcast in black and white.
No picture, normal sound	<ol style="list-style-type: none"> 1. Adjust the brightness and contrast 2. Radio channel is tuned to or the programme is not transmitting Video signals or another broadcasting interference/failure.
Normal picture, no sound	<ol style="list-style-type: none"> 1. Press the volume up button to increase the volume level. 2. Audio is muted, press  to restore the sound. 3. If external devices are used to loop the sound through, make sure to select correct sources and correct sound mode, for details also check advices in User Manuals from connected devices 4. Maybe a channel w/o audio is tuned to (demo) or the programme is not transmitting audio signals or there is some other transmission interference/failure.
Playback of video is causing picture freeze/macro blocks or similar distortion, especially on HD content.	Read/write speed of your USB device could be too low. Make sure to use a USB storage device with sufficient speed and space. Pen drives (USB sticks) may not support sufficient speed.
The remote control does not work	<ol style="list-style-type: none"> 1. Change the batteries. If you're using rechargeable ones take care to use such with low self-discharge 2. The batteries are not installed correctly or the types have been mixed 3. IR Sensor is blocked or maybe interfered from bright light
The TV switches off after a certain time	Switch ON the TV and check settings for automatic STBY function, by default the TV switches OFF after 4 hours to fulfil European low power regulations and help you to save energy.

NOTE:

If the problem persists after these solutions, please contact your local support centre or send a support mail via our website www.strong.tv.

8.0 SPECIFICATIONS

Audio

Audio Output: 2 x 3 W

Video

Channel coverage: DVB-T2: 174 MHz-230 MHz; 470 MHz-860 MHz
DVB-C: 50-858 MHz
DVB-S2: 950 MHz-2150 MHz
System: DTV: DVB-T2, DVB-S2, DVB-C
ATV: PAL/SECAM (BG/DK/1)
AV: PAL, NTSC

Connectors

1x ANT/CABLE IN
1x PC audio in
1x SAT IN
1x HDMI
1x SCART
1x USB
1x S/PDIF (coax.)
1x VGA
1x AV IN
1x COMMONINTERFACE (CI+)
1x Mini YPbPr
1x Headphones

General Data

Operating voltage: 100 ~ 240 V AC 50/60 Hz
Input voltage: DC 12 V 3 A
Power consumption: max. 40 W, typ. 25 W
Power consumption in standby: <0.5 W
Operating temperature: 25° C
Storage temperature: -15 °C ~ +45 °C
Operating humidity: 20% ~ 80% RH, non-condensing
Storage humidity: 10% ~ 90% RH, non-condensing
Dimensions (WxHxD) in mm: 550.7 x 367.3 x 161
Net-weight: 2.66 kg