

# STRONG

Mbps  
**600**  
Mbit/s

## POWERLINE 600 TRIPLE PACK

Internet everywhere from any power socket!



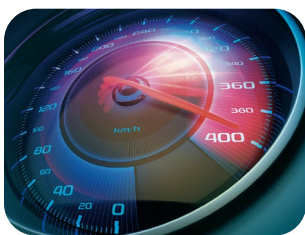
The Powerline 600 Triple Pack which includes 3 Powerline 600 adapters creates in an extremely simple way a high-speed home network using your home's existing electrical wiring at speeds up to 600 Mbit/s.

No new wire required! Connect computers, consumer electronic and network-compatible devices to the Internet in any room and any floor of your home by simply using a power outlet.

You just have to connect one Powerline 600 adapter to your internet modem via an Ethernet port and your Internet connection becomes immediately available from any power socket by using the second and third Powerline 600 adapters in the rooms of your choice.

No power outlet goes to waste because each Powerline 600 adapter is equipped with an extra noise filtered power socket.

### Performance



- Triple Pack of 3 Powerline 600 adapters
- HomePlug™ AV standard
- Speed up to 600 Mbit/s
- Perfect for IPTV, HD video streaming and gaming
- Works with any standard Modem or Router

### Coverage & Reliability



- Range of 300 meters over electrical circuit
- Automatic power saving mode reduces consumption by up to 85%
- No configuration! No expertise required! Plug & Play installation in a minute

### Security



- Powerline 128 bit AES encryption for network security and data protection
- Connect & Secure button for an optimum network security

### Connections



- Integrated extra power socket with power output of up to 16 A for the Powerline 600 adapters
- 1x Ethernet LAN port to connect any computer, set-top-box, Smart TV, game console, ...

# STRONG

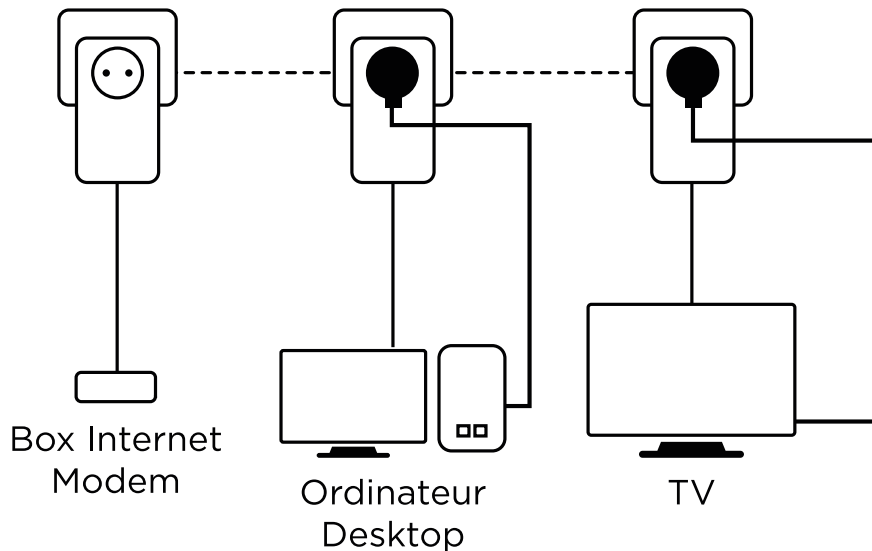
## POWERLINE 600 TRIPLE PACK

### Powerline 600 Adapter

Frequency	2 MHz ~ 68 MHz
Standards	HomePlug™ AV, IEEE 802.3, IEEE 802.3u
Interface	10/100M Ethernet
Extra Power Socket	250 V AC 16 A max.
Button	Connect & Secure/Reset
LEDs	Power, Powerline, Ethernet
Power	100 - 240 V, 50/60 Hz
Security	128 bit AES
Range	Up to 300 meters over electric circuit
Size (WxDxH) in mm	60 x 73 x 117
Weight in kg	0.16

### Others

Certification	CE
Package Contents	3x Powerline 600 Adapters 2x Ethernet cables, Installation instructions, Warranty Card
System Requirements	Windows 7, 8, 8.1, 11, Mac OS X, Linux, Internet Browser
Environment	Operating temperature: 0 °C ~ +40 °C Storage temperature: -40 °C ~ +70 °C Operating humidity: 10%~90% non-condensing Storage humidity: 5%~90% non-condensing



PL600TRIFR EAN : 9120072374739

PCB: 10