

## Powerline 500 Triple Pack

Internet everywhere from any power socket!



The Powerline 500 Triple Pack which includes 3 Powerline 500 adapters creates in an extremely simple way a high-speed home network using your home's existing electrical wiring at speeds up to 500 Mbit/s.

No new wire required! Connect computers, consumer electronic and network-compatible devices to the Internet in any room and any floor of your home by simply using a power outlet.

You just have to connect one Powerline 500 adapter to your internet modem via an Ethernet port and your Internet connection becomes immediately available from any power socket by using the second and third Powerline 500 adapters in the rooms of your choice.

No power outlet goes to waste because each Powerline 500 adapter is equipped with an extra noise filtered power socket.

### Performance



- Triple Pack of 3 Powerline 500 adapters
- HomePlug™ AV standard
- Speed up to 500 Mbit/s
- Perfect for IPTV, HD video streaming and gaming
- Works with any standard Modem or Router

### Coverage & Reliability



- Range of 300 meters over electrical circuit
- Automatic power saving mode reduces consumption by up to 85%
- No configuration! No expertise required! Plug & Play installation in a minute

### Security



- 128 bit AES encryption for network security and data protection
- Connect & Secure button for an optimum network security

### Connections



- Integrated extra power socket with power output of up to 16 A
- 1x Ethernet LAN port to connect any computer, set-top-box, Smart TV, game console, ...

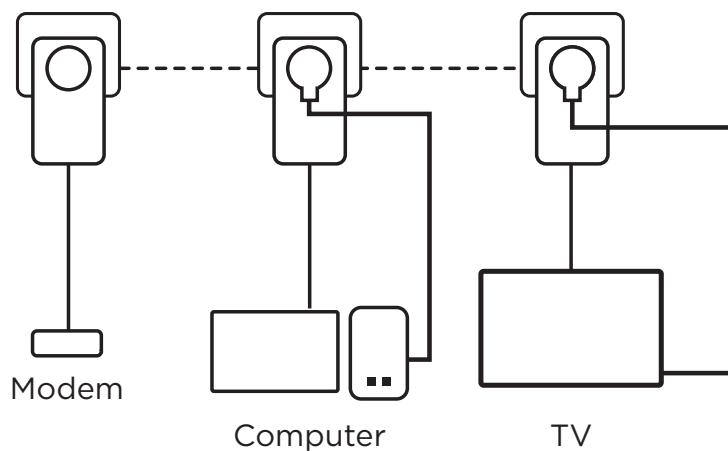
## Powerline 500 Triple Pack

### Hardware

Standards:	HomePlug™ AV, IEEE 802.3, IEEE 802.3u
Interface:	10/100M Ethernet, Extra Power Socket 250 V AC 16 A max.
Button:	Connect & Secure/Reset
LEDs:	Power, Powerline, Ethernet
Power:	100 - 240 V, 50/60 Hz
Security:	128 bit AES
Range:	Up to 300 meters over electric circuit
Frequency:	2 MHz ~ 68 MHz
Size (WxDxH):	60 x 74 x 117 mm
Weight in kg:	0,16

### Other specifications

Certification:	CE
Package Contents:	3x Powerline 500 Adapters 3x Ethernet Cables Quick Installation Guide, Warranty Card
System Requirements:	RJ45 Ethernet connection
Environment:	Operating Temperature: 0 °C ~ +40 °C Storage Temperature: -40 °C ~ +70 °C Operating Humidity: 10%~90% non-condensing Storage Humidity: 5%~90% non-condensing



EAN PL500TRIEU: 9120072370427