

Digital Active Outdoor DVB-T/T2 Antenna SRT ANT 45



Picture similar

User Manual
Manuel d'utilisateur
Bedienungsanleitung
Istruzioni d'uso
Manual de usuario
Manual do Usuário
Bruksanvisning
Bruger Manual
Käyttöohje

Használati útmutató
Návod k obsluze
Používateľská príručka
Instrukcja obsługi
Korisnički priručnik
Uputstvo za upotrebu
Manual de utilizare
Ръководство на потребителя



Outdoor
Antenna



5 V active
antenna



UHF &
VHF



Low noise
amplifier



2-way
mounting



Water-
proof



UV
resistant

DVB-T

DVB-T2



SERVICE CENTER

| | | | |
|------------|--|-----------|---|
| AT |  support_at@strong.tv  0820 400 150 (€ 0,12/Min. österr. Festnetz) | FR |  support_fr@strong.tv  0826 029 928 (€ 0,15 par mn poste fixe en France) |
| BG |  support_bg@strong.tv  +359 32 634451 | IT |  support_it@strong.tv  199 404 032 Da rete fissa 24,8 cent. al min. 12,5 cent. scatto alla risposta Da rete mobile max 49 cent. al min. 15,6 cent. scatto alla risposta |
| CEE |  support_hu@strong.tv  +36 1 445 26 10 | NL |  support_nl@strong.tv |
| DE |  support_de@strong.tv  0180 501 49 91 (€ 0,14/Min. deutsches Festnetz) (€ 0,42/Min. max. Mobilfunknetze) | PL |  support_pl@strong.tv  801 702 017 |
| DK |  support_dk@strong.tv | UA |  support_ua@strong.tv  +380 (44) 228 24 73 |

Supplied by STRONG, Austria
Represented by
STRONG Ges.m.b.H.
Franz-Josefs-Kai 1
1010 Vienna
Austria
Email: support_at@strong.tv

31 Jan 2018 15:20

TABLE OF CONTENTS

| | |
|---------------------------------|---|
| 1.0 INTRODUCTION | 1 |
| 2.0 PACKAGE CONTENTS | 2 |
| 3.0 SAFETY NOTES | 2 |
| 4.0 CONNECTING THE ANTENNA | 3 |
| 5.0 INSTALLATION OF THE ANTENNA | 5 |

1.0 INTRODUCTION

Thank you for purchasing the STRONG SRT ANT 45 DVB-T/T2 antenna. This antenna has been specially designed to receive digital terrestrial signals. It can be connected to any Digital Terrestrial Receiver (DVB-T/T2), and is specially designed for outdoor use. The antenna housing is UV protected and weather-proof sealed. With the supplied multi-functional mounting material, you can install the antenna on a wall, on your balcony or on a pole outside the house.

This DVB-T/T2 antenna is an "Active type" antenna, it has a built-in low noise amplifier that amplifies the received signal for better performance. The antenna therefore needs 5 V power supplied by your terrestrial receiver, or by an AC/DC adapter (supplied with the antenna).

We recommend that you carefully read this user manual before you install the antenna. This will help you to get the best performance of your antenna.

Specifications

| | |
|---------------------|---|
| Frequency range: | VHF 174 ~ 230 MHz, UHF 470 ~ 790 MHz with LTE filtering |
| Gain: | 20 dB for VHF and 16 dB for UHF |
| RF Output Impedance | 75 Ohm |
| Power Supply: | 5 V DC/40 mA via ANTENNA connector of the digital terrestrial receiver or |
| 2 powering methods: | 12 V DC/250 mA via External 230 V AC to DC adapter with power injector |

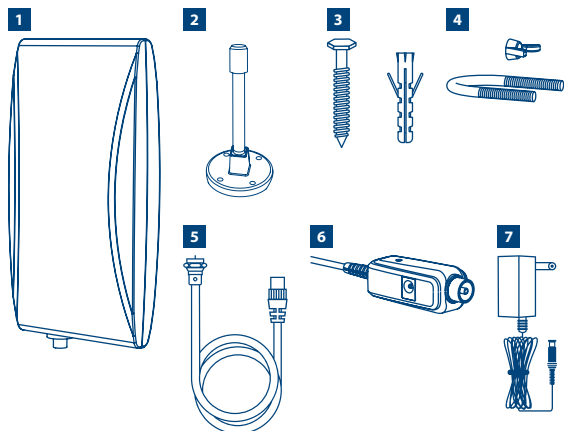
Special features

- Choice of installation methods: wall-mounted or pole-mounted installation
- Built-in FM and LTE (4G) filter
- Weather-proof and UV protected housing
- Built-in low noise amplifier technology
- Highly directional to optimise accurate pointing to the transmitter and to reduce pick up of unwanted signals

2.0 PACKAGE CONTENTS

1. Active DVB-T/T2 Outdoor Antenna.
2. Multidirectional base (flexible).
3. Wall mounting kit.
4. Pole mounting kit.
5. Coaxial Cable.
6. Power Injector.
7. AC/DC adapter.

Fig. 1



3.0 SAFETY NOTES

- Be careful working outside with overhead power lines to avoid electrocution
- Use only originally supplied accessories.
- Before you make any connections: disconnect your equipment from the 230 V main power to avoid electric shocks during installation.
- Short circuit in the coaxial cable MAY permanently damage your Digital Receiver.
- Never use AC adapters with incorrect specifications. This MAY permanently damage your antenna or Digital Receiver. Always check voltages and polarisation of the adapter before connecting it.

4.0 CONNECTING THE ANTENNA

Preparations

1. Check if the broadcast in your country is horizontally or vertically polarised.
2. Fix the antenna to the multi-directional base as shown in the pictures (the bracket is flexible and can be bent to the shape shown in **Fig. 2**)
3. Depending on how the signals are broadcasted (horizontally or vertically) you will have to mount your antenna in the horizontal or vertical position for best performance.
4. Your antenna needs 5 V power to work properly. Check in the menu or user manual of your terrestrial receiver to see if it supports the needed 5 V power.

Fig. 2

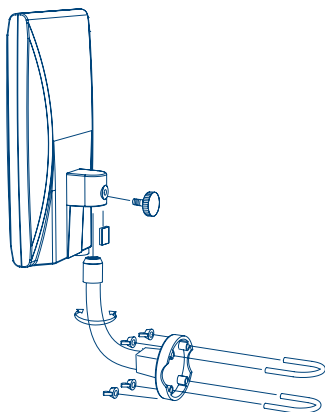
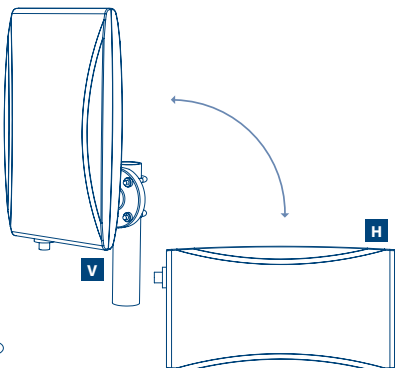


Fig. 3



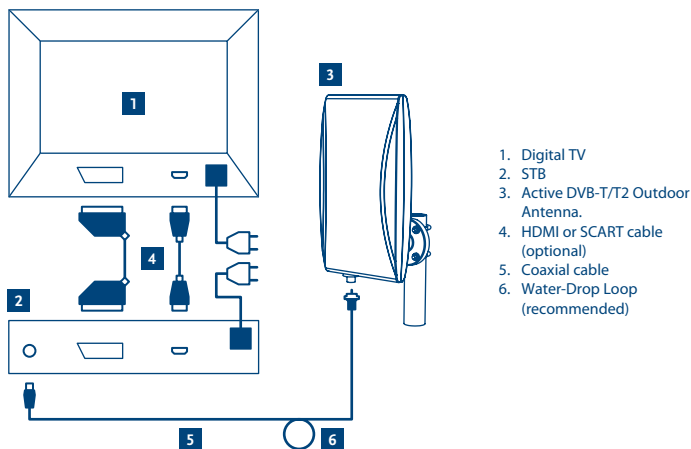
- V: (Vertical-Broadcast) antenna mounted
- H: (Horizontal-Broadcast) antenna mounted

4.1 To power the antenna with Digital Terrestrial Receiver

1. Turn on your TV set and turn on your Digital Terrestrial Receiver.
2. Press the **"MENU"** button on the remote control of your Digital Terrestrial Receiver. Check in the Set-Up or Installation menu of your receiver to see if the antenna power is set to "ON". (Normally this is indicated in the menu as ANT power, Ext Antenna power or Active antenna power.) Refer to the user manual of your Digital Terrestrial Receiver.
3. Once you are sure that your receiver supports 5 V antenna power, switch off your receiver and disconnect it from the 230 V main power.
4. Take the supplied "long" coaxial cable and connect the end with the "F connector" (screw type connector) to the antenna. Carefully press the inner lead of the cable into the Female-F connector at the back of the antenna. Turn the covering nut clockwise with your HANDS until it is fixed.
5. Connect the IEC Male end to your receiver. Normally the input connector on your receiver is marked as "ANT" (in) or as "RF" (in). Refer to the user manual of your Digital Terrestrial Receiver.
6. Connect your receiver to the 230 V main power and switch ON your receiver and TV set.

7. Proceed to 5.0 "Antenna installation".

Fig. 4

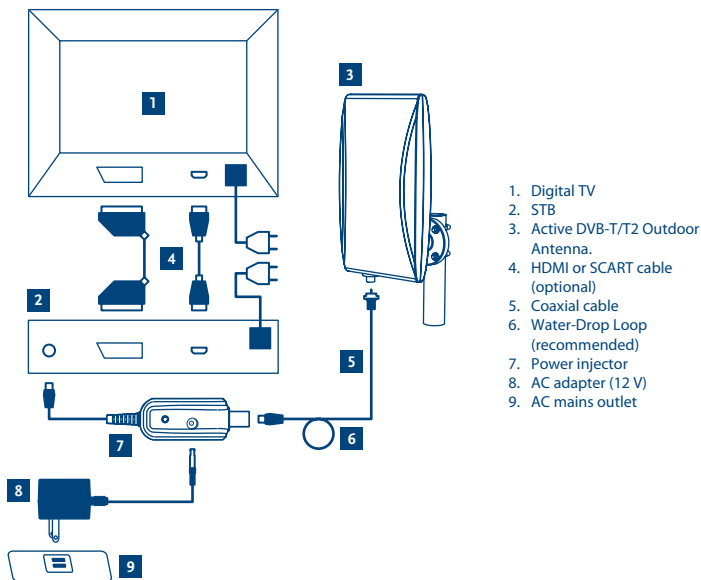


1. Digital TV
2. STB
3. Active DVB-T/T2 Outdoor Antenna.
4. HDMI or SCART cable (optional)
5. Coaxial cable
6. Water-Drop Loop (recommended)

If your receiver does not support 5 V antenna power, then please follow the next steps:

4.2 To power the antenna with external power adapter

1. Switch OFF your receiver and disconnect it from the 230 V mains power.
2. Take the short coaxial (IEC Male to IEC Female) cable. Connect the IEC Male end to your receiver. Normally the input connector on your receiver is marked as "ANT" (in) or as "RF" (in). Refer to the user manual of your Digital Terrestrial Receiver.
3. Connect the other end of the cable to the connector on the power injector that is marked as "Receiver".
4. Take the supplied "long" coaxial cable and connect the end with the "F connector" (screw type connector) to the antenna. Carefully press the inner lead of the cable into the Female-F connector at the back of the antenna. Turn the covering nut clockwise with your HANDS until it is fixed.
5. Connect the other side of the cable to the connector at the power injector, it is marked as "Antenna".
6. Insert the adapter to the 230 V main power and insert the connector at the end of the lead to the power injector - it is marked as "DC 9 - 12 V".
7. Proceed to chapter 5.0 "Installation of the antenna".



1. Digital TV
2. STB
3. Active DVB-T/T2 Outdoor Antenna.
4. HDMI or SCART cable (optional)
5. Coaxial cable
6. Water-Drop Loop (recommended)
7. Power injector
8. AC adapter (12 V)
9. AC mains outlet

5.0 INSTALLATION OF THE ANTENNA

1. Turn on your TV set and turn on your Digital Terrestrial Receiver.
2. Press the **"MENU"** button on the remote control of your Digital Terrestrial Receiver. Select the menu on your receiver that shows the signal level indicators. (Normally you can find the signal meter in the *Channel Scan* field of the menu). Refer to the user manual of your Digital Terrestrial Receiver.
3. Now optimise the signal strength by finding the best position for the antenna. Keeping the antenna in your hand, try to reach the highest or best possible position. Slowly move the antenna to different positions around the house, at the same time monitor the signal bars in the menu, once the signal indicator shows the maximum signal, fix the antenna on that position.

NOTE

It is recommended NOT to place the antenna near to:

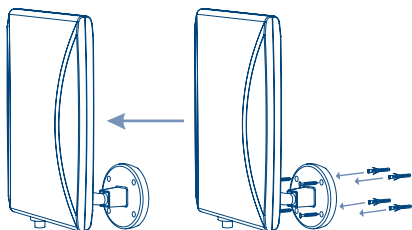
- Devices that are strong source of radiation or interference such as DECT and GSM telephones, transmitters, microwaves, Wi-Fi, etc.
- Devices with high power consumption such as electrical heater, air conditioner, hairdryers, etc.

Once the best position for the antenna has been found it can be mounted and fixed in that place. You can fix the antenna on the wall, on the balcony or on a metal pole.

5.1 Installation on the wall

1. Take the multi directional base and hold it to the position on the wall (the bracket is flexible and can be bent according to your needs)
2. Mark the 4 holes with a pencil
3. Drill 4 holes with 5.8 mm diameter (make sure you are in a secured position and wear sufficient protective clothing while drilling)
4. Insert the 4 plastic plugs into the drilled holes
5. Hold the multi directional base on its position
6. Use the 4 screws to fix the plastic mount on the wall

Fig. 6



5.2 Installation on a metal pole, or on the balcony

1. Take a metallic pole and make sure it is properly fixed and stable enough to carry the antenna
2. Take the pole mounting kit
3. Hook the 2 U bolts on the pole (or on the metal parts of the balcony)
4. Take the multi-directional base and place it over the bolts (the bracket is flexible and can be bent according to your needs)
5. Use the 4 wing nuts to fix them

Fig. 7

